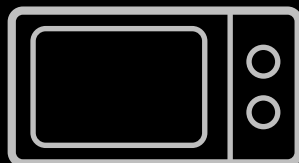


GETTING STARTED? EASY.



EN User manual
Microwave Oven

2

FMSN5S

FR Notice D'utilisation
Four À Micro-Ondes

18

FAURE

CONTENTS


- 1. SAFETY INFORMATION3
- 2. INSTALLATION7
- 3. PRODUCT DESCRIPTION11
- 4. OPERATION.....13
- 5. HINTS AND TIPS14
- 6. TROUBLESHOOTING.....16
- 7. TECHNICAL INFORMATION17
- 8. ENVIRONMENT CONCERNS17


SAFETY INFORMATION


This appliance can be used by children aged from 8 years and above and persons with reduced physical, sensory or mental capabilities or lack of experience and knowledge if they have been given supervision or instruction concerning use of the appliance in a safe way and understand the hazards involved. Children should be supervised to ensure that they do not play with the appliance. Cleaning and user maintenance shall not be made by children unless they are aged from 8 years and above and supervised.


This appliance is not intended for use at altitudes above 2000m.

 **IMPORTANT!** IMPORTANT SAFETY INSTRUCTIONS:
READ CAREFULLY AND KEEP FOR FUTURE REFERENCE.

 **WARNING!**
Do not use the appliance without the turntable and turntable support. Do not use the appliance when empty.

 **WARNING!**
If the door or door seals are damaged, the oven must not be operated until it has been repaired by a competent person.

 **WARNING!**
It is hazardous for anyone other than a competent person to carry out any service or repair operation that involves the removal of a cover which gives protection against exposure to microwave energy.

 **WARNING!**
Liquids and other foods must not be heated in sealed containers since they are liable to explode.

This appliance is intended to be used in household and similar applications such as: staff kitchen areas in shops, offices and other working environments; farm houses; by clients in hotels, motels and other residential environments; bed and breakfast type environments.

Only use microwave-safe containers and utensils.

Metallic containers for food and beverages are not allowed during microwave cooking.

Do not leave the oven unattended when using disposable plastic, paper or other combustible food containers.

The microwave oven is intended for heating food and beverages. Drying of food or clothing and heating of warming pads, slippers, sponges, damp cloth and similar may lead to risk of injury, ignition or fire.

If food being heated begins to smoke, **DO NOT OPEN THE DOOR**. Turn off and unplug the oven and wait until the food has stopped smoking. Opening the door while food is smoking may cause a fire.

Microwave heating of beverages can result in delayed eruptive boiling, therefore care has to be taken when handling the container.

The contents of feeding bottles and baby food jars shall be stirred or shaken and the temperature checked before consumption, in order to avoid burns.

Do not cook eggs in their shells and whole hard boiled eggs should not be heated in microwave ovens since they may explode even after microwave cooking has ended.

CARE AND CLEANING

Door:

To remove all trace of dirt, regularly clean both sides of the door, the door seals and sealing surfaces with a soft, damp cloth. Do not use harsh abrasive cleaners or sharp metal scrapers to clean the oven door glass since they can scratch the surface, which may result in shattering of the glass.

Oven interior:

For cleaning, wipe any splatters or spills with a soft damp cloth or sponge after each use while the oven is still warm. For heavier spills, use a mild soap and wipe several times with a damp cloth until all residues are removed. Do not remove the waveguide cover. Make sure that mild soap or water does not penetrate the small vents in the walls which may cause damage to the oven.

Do not use spray type cleaners on the oven interior. Clean the waveguide cover, the oven cavity, the turntable and turntable support after use. These must be dry and free from grease. Built-up grease may overheat and begin to smoke or catch fire.

Oven exterior:

The outside of your oven can be cleaned easily with mild soap and water. Make sure the soap is wiped off with a moist cloth, and dry the exterior with a soft towel.

Control panel:

Open the door before cleaning to de-activate the control panel. Care should be taken when cleaning the control panel. Using a cloth dampened with water only, gently wipe the panel until it becomes clean. Avoid using excessive amounts of water. Do not use any sort of chemical or abrasive cleaner.

Turntable and turntable support:

Remove the turntable and turntable support from the oven. Wash the turntable and turntable support in mild soapy water. Dry with a soft cloth. Both the turntable and the turntable support are dishwasher safe.



IMPORTANT!

Clean the oven at regular intervals and remove any food deposits. Failure to maintain the oven in a clean condition could lead to a deterioration of the surface that could adversely affect the life of the appliance and possibly result in a hazardous situation.

Care should be taken not to displace the turntable when removing containers from the appliance.



IMPORTANT!

A steam cleaner should not be used.

The microwave oven is intended to be used built-in.

The appliance and its accessible parts become hot during use.



WARNING!

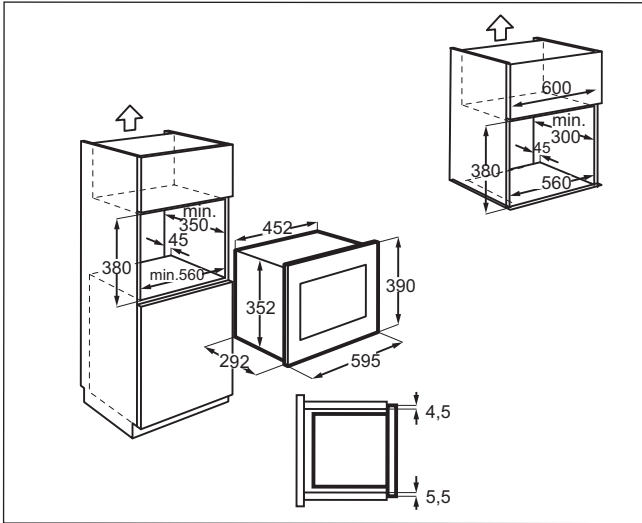
Children should be kept away to prevent them burning themselves.



IMPORTANT!

Do not use commercial oven cleaners, steam cleaners, abrasive, harsh cleaners, any that contain sodium hydroxide or scouring pads on any part of your microwave oven.

INSTALLATION



INSTALLING THE APPLIANCE

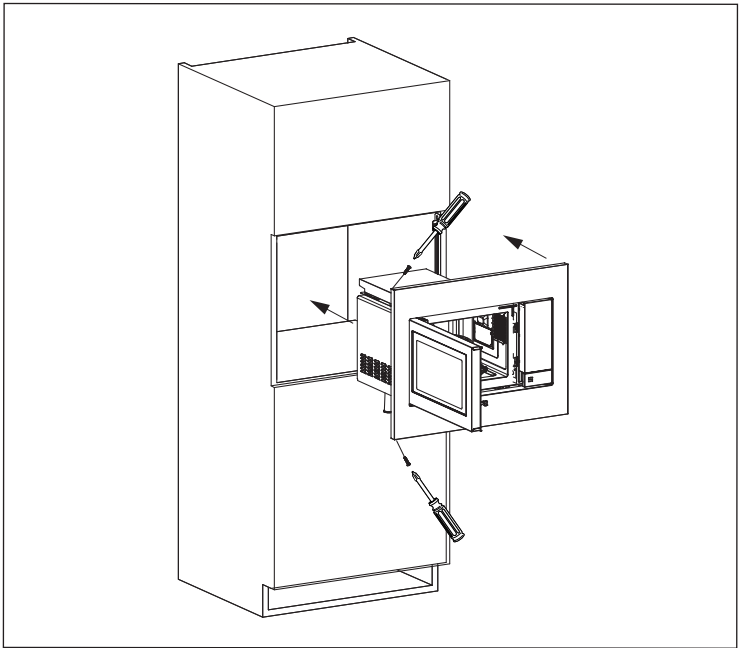
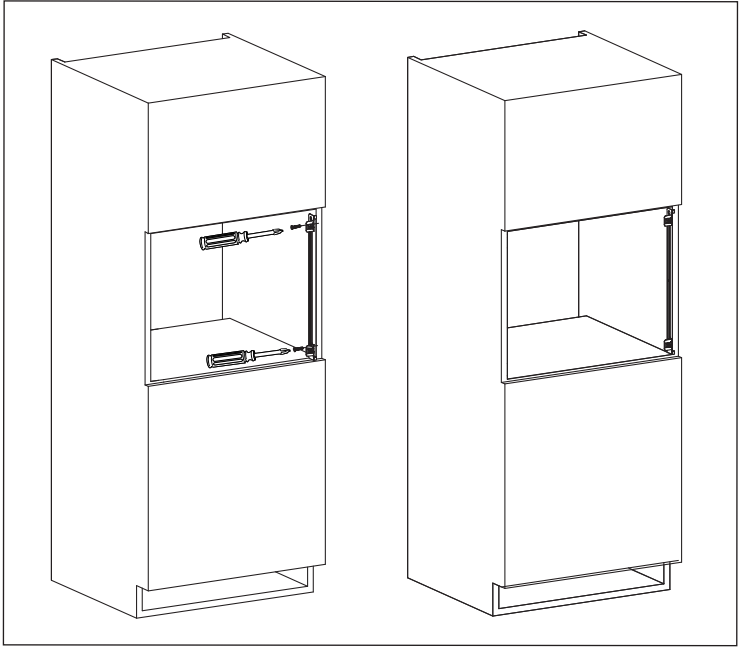
1. Remove all packaging and check carefully for any signs of damage.
2. Fit the fixing bracket to the right hand side of the kitchen cupboard using the installation sheet and two screws supplied.
3. Fit the appliance into the kitchen cupboard slowly and without force until it clips into the brackets. Ensure the appliance is stable and centralised.
4. Fix the oven on the left hand side using the two screws supplied.
5. The front frame of the appliance should seal against the front opening of the cupboard.



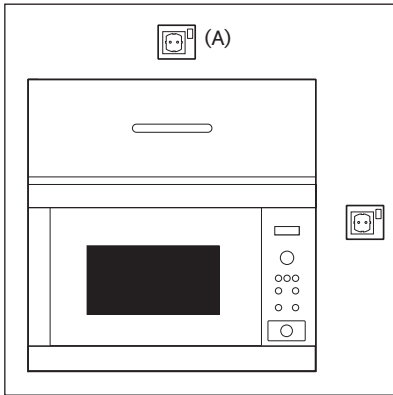
IMPORTANT!

Do not install this appliance in kitchen cupboards without the specified 45mm rear chimney. Inadequate ventilation could adversely affect the performance and life of the appliance.

Do not install this appliance in kitchen cupboards that are adjacent to sources of heat and steam such as hobs and cook tops. Such sources could adversely affect the performance and life of the appliance.



CONNECTING THE APPLIANCE TO THE POWER SUPPLY



- The electrical outlet should be readily accessible so that the unit can be unplugged easily in an emergency. Or it should be possible to isolate the oven from the supply by incorporating a switch in the fixed wiring in accordance with the wiring rules.
- The power supply cord may only be replaced by an electrician.
- If the supply cord is damaged it must be replaced by the manufacturer, its service agent or similarly qualified persons in order to avoid a hazard.
- The socket should not be positioned behind the cupboard.
- The best position is above the cupboard, see (A).
- Connect the appliance to a single phase 230-240 V/50 Hz alternating current via a correctly installed earth socket. The socket must be fused with a 10 A fuse.
- Before installing, tie a piece of string to the power supply cord to facilitate connection to point (A) when the appliance is being installed.
- When inserting the appliance into the high-sided cupboard, DO NOT crush the power supply cord.
- Do not immerse the power supply cord or plug in water or any other liquid.
- Do not allow the power supply cord to run over any hot or sharp surfaces, such as the hot air vent area at the top rear of the oven.

ADDITIONAL ADVICE

Do not use the microwave oven to heat oil for deep frying. The temperature cannot be controlled and the oil may catch fire. To make popcorn, only use special microwave popcorn makers.

Individuals with PACEMAKERS should check with their doctor or the manufacturer of the pacemaker for precautions regarding microwave ovens.

Never spill or insert any objects into the door lock openings or ventilation openings. In the event of a spill, turn off and unplug the oven immediately and call an authorised ELECTROLUX service agent.

Never modify the oven in any way.

Only use the turntable and the turntable support designed for this oven. Do not operate the oven without the turntable.

To prevent the turntable from breaking:

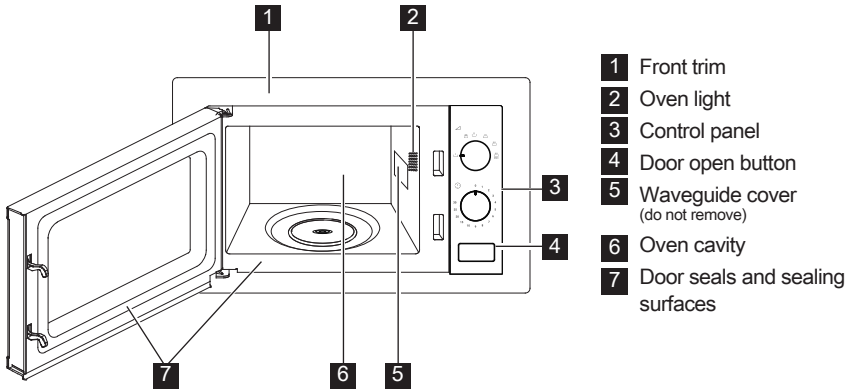
- Before cleaning the turntable with water, leave the turntable to cool.
- Do not put hot foods or hot utensils on a cold turntable.
- Do not put cold foods or cold utensils on a hot turntable.

Neither the manufacturer nor the dealer can accept any liability for damage to the oven or personal injury resulting from failure to observe the correct electrical connection procedure. Water vapour or drops may occasionally form on the oven walls or around the door seals and sealing surfaces. This is a normal occurrence and is not an indication of microwave leakage or a malfunction.

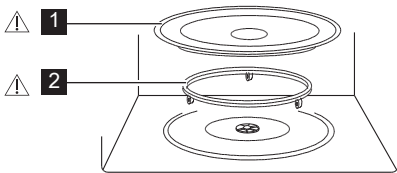
Concerning the lamp(s) inside this product and spare part lamps sold separately: These lamps are intended to withstand extreme physical conditions in household appliances, such as temperature, vibration, humidity, or are intended to signal information about the operational status of the appliance. They are not intended to be used in other applications and are not suitable for household room illumination.

PRODUCT DESCRIPTION

MICROWAVE OVEN



ACCESSORIES



Check to make sure the following accessories are provided:

- 1 Turntable
- 2 Turntable support

- Place the turntable support on the floor of the cavity.
- Then place the turntable on the turntable support.
- To avoid turntable damage, ensure dishes or containers are lifted clear of the turntable rim when removing them from the oven.



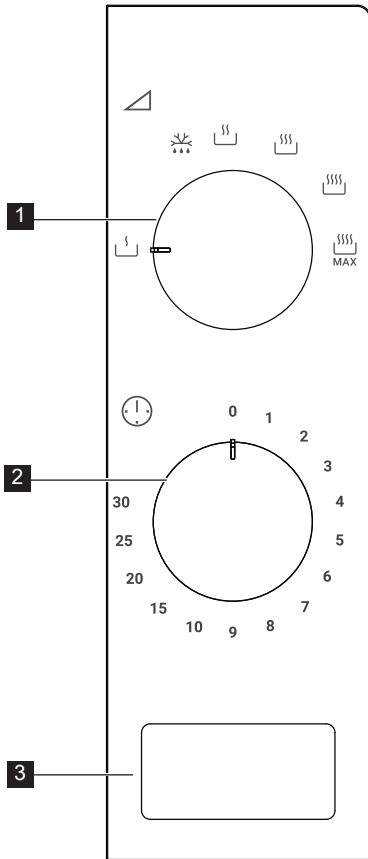
When you order accessories, please mention two items: part name and model name to your dealer or an authorised ELECTROLUX service agent.



WARNING!

Do not operate the microwave oven without these parts fitted.

CONTROL PANEL



- 1** Power / Action Selector
- 2** Timer Knob
- 3** Door open button

OPERATION

MICROWAVE COOKING

Microwave cooking allows you to customize the cooking power and time. Maximum cooking time is 30 minutes.

Example: To cook for 5 minutes on medium high.




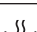

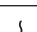
1. Open the oven door and place the food inside. Close the door.
2. Rotate the power / action selector to medium high.
3. Rotate the timer knob to enter the cooking time and start cooking.



As soon as the timer knob is rotated the oven will start cooking. When selecting time for less than 2 minutes, turn timer past 2 minutes and then return to the correct time. Power levels that are too high or cooking times that are too long may overheat foods resulting in a fire.



CAUTION: Always return the timer back to the zero position when food is removed from the oven or when the oven is not in use. To stop the oven during cooking push the door release button.


Power Output	Description	Icon
100 %	High	
88 %	Medium High	
73 %	Medium	
52 %	Medium Low	
42 %	Defrost	
20 %	Low	

HINTS AND TIPS

MICROWAVE SAFE COOKWARE

Cookware	Microwave safe	Comments
Aluminium foil/containers	✓ / ✗	Small pieces of aluminium foil can be used to shield food from overheating. Keep foil at least 2 cm from the oven walls, as arcing may occur. Foil containers are not recommended unless specified by the manufacturer. Follow instructions carefully.
China and ceramics	✓ / ✗	Porcelain, pottery, glazed earthenware and bone china are usually suitable, except for those with metallic decoration.
Glassware e.g. Pyrex®	✓	Care should be taken if using fine glassware as it can break or crack if heated suddenly.
Metal	✗	It is not recommended to use metal cookware when using microwave power as it will arc, which can lead to fire.
Plastic/polystyrene e.g. fast food containers	✓	Care must be taken as some containers warp, melt or discolour at high temperatures.
Freezer/roasting bags	✓	Must be pierced to let steam escape. Ensure bags are suitable for microwave use. Do not use plastic or metal ties, as they may melt or catch fire due to the metal arcing.
Paper-plates, cups and kitchen paper	✓	Only use for warming or to absorb moisture. Care must be taken as overheating may cause fire.
Straw and wooden containers	✓	Always attend the oven when using these materials as overheating may cause fire.
Recycled paper and newspaper	✗	May contain extracts of metal which will cause arcing and may lead to fire.

MICROWAVE COOKING ADVICE

Microwave cooking advice	
Composition	Foods high in fat or sugar (e.g. Christmas pudding, mince pies) require less heating time. Care should be taken as overheating can lead to fire.
Size	For even cooking make all the pieces the same size.
Temperature of food	The initial temperature of food affects the amount of cooking time needed. Cut into foods with fillings (e.g. jam doughnuts) to release heat or steam.
Arrange	Place the thickest parts of food towards the outside of the dish (e.g. chicken drumsticks).
Cover	Use vented microwave cling film or a suitable lid.
Pierce	Foods with a shell, skin or membrane must be pierced in several places before cooking or reheating as steam will build up and may cause food to explode (e.g. potatoes, fish, chicken, sausages).  IMPORTANT! Eggs should not be heated using microwave power as they may explode, even after cooking has ended (e.g. poached, hard boiled).
Stir, turn and rearrange	For even cooking it is essential to stir, turn and rearrange food during cooking. Always stir and rearrange from the outside towards the centre.
Stand	Standing time is necessary after cooking to enable the heat to disperse equally throughout the food.
Shield	Warm areas can be shielded with small pieces of foil, which reflect microwaves (e.g. legs and wings on a chicken).



Use pot holders or oven gloves when removing food from the oven to prevent burns. Always open containers, popcorn makers, oven cooking bags, etc., away from the face and hands to avoid steam burns.

Always stand back from the oven door when opening to avoid burns from escaping steam and heat. Slice stuffed baked foods after heating to release steam and avoid burns.

TROUBLESHOOTING


Problem	Check if . . .
The microwave appliance is not working properly?	<ul style="list-style-type: none">• The fuses in the fuse box are working.• There has not been a power outage.• If the fuses continue to blow, please contact a qualified electrician.
The microwave mode is not working?	<ul style="list-style-type: none">• The door is properly closed.• The door seals and their surfaces are clean.
The turntable is not turning?	<ul style="list-style-type: none">• The turntable support is correctly connected to the drive.• The ovenware does not extend beyond the turntable.• Food does not extend beyond the edge of the turntable preventing it from rotating.• There is nothing in the well beneath the turntable.
The microwave will not switch off?	<ul style="list-style-type: none">• Isolate the appliance from the fuse box.• Call an authorised ELECTROLUX service agent.
The interior light is not working?	<ul style="list-style-type: none">• Call your authorised ELECTROLUX service agent. The interior light can be exchanged only by a trained authorised ELECTROLUX service agent.
The food is taking longer to heat through and cook than before?	<ul style="list-style-type: none">• Set a longer cooking time (double quantity = nearly double time) or• If the food is colder than usual, rotate or turn from time to time or• Set a higher power setting.

TECHNICAL INFORMATION


AC Line Voltage		230-240 V, 50 Hz, single phase
Distribution line fuse/circuit breaker		Minimum 10 A
AC Power required:	Microwave	1.2 kW
Output power:	Microwave	700 W (IEC 60705)
Microwave Frequency		2450 MHz ¹⁾ (Group 2/Class B)
Outside Dimensions:	FMSN5S	595 mm (W) x 390 mm (H) x 312 mm (D)
Cavity Dimensions		315 mm (W) x 198 mm (H) x 294 mm (D) ²⁾
Oven Capacity		17 litres ²⁾
Turntable		ø 245 mm, glass
Weight		approx. 12.7 kg

- ¹⁾ This Product fulfils the requirement of the European standard EN55011.
In conformity with this standard, this product is classified as group 2 class B equipment.
Group 2 means that the equipment intentionally generates radio-frequency energy in the form of electromagnetic radiation for the heat treatment of food.
Class B equipment means that the equipment is suitable to be used in domestic establishments.
- ²⁾ Internal capacity is calculated by measuring maximum width, depth and height.
Actual capacity for holding food is less.

ENVIRONMENT CONCERNS

Recycle materials with the symbol . Put the packaging in applicable containers to recycle it.


Help protect the environment and human health and recycle waste electrical and electronic appliances.

Do not dispose of appliances marked with the symbol  with household waste. Return the product to your local recycling facility or contact your municipal office.

SOMMAIRE

1. AVERTISSEMENTS IMPORTANTS DE SÉCURITÉ	19
2. INSTALLATION	24
3. VUE D'ENSEMBLE DE L'APPAREIL	29
4. FONCTIONNEMENT	31
5. ASTUCES ET CONSEILS	32
6. EN CAS D'ANOMALIE DE FONCTIONNEMENT	34
7. CARACTÉRISTIQUES TECHNIQUES.....	35
8. INFORMATIONS ENVIRONNEMENTALES.....	35

AVERTISSEMENTS IMPORTANTS DE SÉCURITÉ

 **IMPORTANT ! AVERTISSEMENTS DE SECURITE IMPORTANTES : LES LIRE ATTENTIVEMENT ET LES CONSERVER SOIGNEUSEMENT POUR CONSULTATIONS ULTERIEURES.**

Cet appareil peut être utilisé par des enfants d'au moins 8 ans et par des personnes dont les capacités physiques, sensorielles ou mentales sont réduites ou qui manquent d'expérience ou de connaissances, à condition qu'ils soient supervisés ou qu'ils aient reçu des instructions préalables concernant l'utilisation en toute sécurité de l'appareil et qu'ils en comprennent les dangers. Les enfants ne doivent se servir du four que sous la surveillance d'un adulte. Les enfants ne doivent pas nettoyer l'appareil ni effectuer d'opérations d'entretien utilisateur, à moins qu'ils aient au moins 8 ans et qu'ils le fassent sous surveillance.

Cet appareil n'est pas destiné à être utilisé à des altitudes de plus de 2 000 m.

 **AVERTISSEMENT !**

Si la porte ou les joints de la porte sont endommagés, le four ne doit pas être utilisé avant d'avoir été réparé par une personne compétente.

 **AVERTISSEMENT !**

N'utilisez pas l'appareil sans le plateau tournant et son support. Ne pas utiliser l'appareil lorsqu'il est vide.

 **AVERTISSEMENT !**

Il est dangereux pour toute personne autre qu'une personne compétente d'effectuer toute opération de maintenance ou de réparation qui implique le retrait d'une couverture qui protège contre l'exposition aux micro-ondes.



ADVERTISSEMENT !

Les liquides ou autres aliments ne doivent pas être réchauffés dans des récipients fermés car ils risquent d'exploser.

Cet appareil est conçu pour une utilisation domestique et des situations similaires telles que : dans les cuisines réservées au personnel de commerces, bureaux et autres environnements de travail ; dans les exploitations agricoles ; par les clients dans les hôtels, motels et autres environnements résidentiels ; dans les chambres d'hôtes et structures similaires.

N'utilisez que des récipients et des ustensiles conçus pour les fours à micro-ondes.

Les récipients métalliques contenant des aliments ou des boissons ne sont pas compatibles avec la cuisson au micro-ondes.

Surveillez le four lorsque vous utiliser des récipients en matière plastique à jeter, des récipients en papier ou tout autre récipient pouvant s'enflammer.

Le four micro-ondes est conçu pour réchauffer des aliments et boissons. Son utilisation pour sécher des aliments ou vêtements, ou pour chauffer des coussins chauffants, chaussons, éponges, chiffons humides et articles similaires peut provoquer des risques de blessures, d'inflammation de la matière ou d'incendie.

Si les aliments que chauffe le four viennent à fumer, **N'OUVREZ PAS LA PORTE**. Mettez le four hors tension, débranchez la prise du cordon d'alimentation et attendez que la fumée se soit dissipée. Ouvrez le four alors que les aliments fument peut entraîner leur inflammation.

Le chauffage par micro-ondes des boissons peut avoir comme conséquence l'ébullition éruptive retardée, donc le soin doit être pris en manipulant le récipient.

Le contenu des biberons et des pots d'aliments pour bébés doit être remué ou secoué et la température doit être vérifiée avant

consommation afin d'éviter les brûlures.

Ne pas cuire les oeufs dans leur coquille et ne pas réchauffer les oeufs durs entiers dans le four micro-ondes car ils risquent d'exploser même après que le four ait fini de chauffer.

Avant d'effectuer une opération de maintenance, débranchez l'appareil de la prise secteur.

Assurez-vous que l'appareil est éteint et débranché avant de remplacer l'éclairage (si présent) afin d'éviter tout risque de choc électrique.

ENTRETIEN ET NETTOYAGE

Porte :

Pour enlever toutes les impuretés, nettoyez fréquemment la porte des deux côtés, le joint de la porte ainsi que la surface des joints à l'aide d'un chiffon humide. Il est déconseillé d'utiliser des produits de nettoyage abrasifs ou des grattoirs en métal pointus pour nettoyer la vitre de la porte du four afin de ne pas rayer sa surface ni affaiblir le verre.

Intérieur du four :

Pour un nettoyage facile, essuyez les éclaboussures et les dépôts à l'aide d'un chiffon doux et mouillé ou une éponge après chaque utilisation et pendant que le four est encore tiède. Si les tâches résistent à un simple nettoyage, utilisez de l'eau savonneuse puis essuyez à plusieurs reprises à l'aide d'un chiffon mouillé jusqu'à ce que tous les résidus soient éliminés. Les éclaboussures accumulées peuvent chauffer, commencer à fumer, pendre feu et provoquer la formation d'un arc. Ne retirez pas le cadre du répartiteur d'ondes. Assurez-vous que l'eau savonneuse ou l'eau ne pénètre pas dans les petites ouvertures des parois. Sinon, elle risque de causer des dommages au four. N'utilisez pas de vaporisateur pour nettoyer l'intérieur du four. Nettoyez le cadre du répartiteur d'ondes, la cavité du four, le

plateau tournant et le pied du plateau après chaque utilisation du four. Ces pièces doivent être toujours sèches et dépourvues de graisse. Les accumulations de graisse peuvent s'échauffer au point de fumer ou de s'enflammer.

Extérieur du four :

Nettoyez l'extérieur du four au savon doux et à l'eau. Rincez pour éliminer l'eau savonneuse et séchez avec un chiffon doux.

Bandeau de commande :

Ouvrez la porte avant de le nettoyer pour rendre inopérants le minuteur et le bandeau de commande. Evitez de mouiller abondamment le bandeau. N'utilisez pas de produit chimique ou abrasif.

Plateau tournant et pied du plateau :

Enlevez tout d'abord le plateau tournant et le pied du plateau. Puis, lavez le plateau tournant et le pied du plateau au moyen d'eau savonneuse. Enfin, essuyez le plateau tournant et le pied du plateau avec un chiffon doux et mettez-les tous deux sur l'égouttoir à vaisselle avant de les remettre en place.

IMPORTANT !

Veillez à ce que le couvercle de guide d'ondes et les accessoires soient constamment propres. Si vous laissez de la graisse s'accumuler dans la cavité ou sur les accessoires, celle-ci risquera de chauffer et de provoquer la formation d'un arc et de fumée, voire même de prendre feu lors de l'utilisation suivante du four.

Faites attention à ne pas déplacer le plateau tournant lorsque vous retirez des récipients de l'appareil.

IMPORTANT !

L'appareil ne doit pas être nettoyé à la vapeur.

Le four à micro-ondes est destiné à être utilisé intégré.

L'appareil et ses éléments accessibles deviennent très chauds en cours d'utilisation.



AVERTISSEMENT !

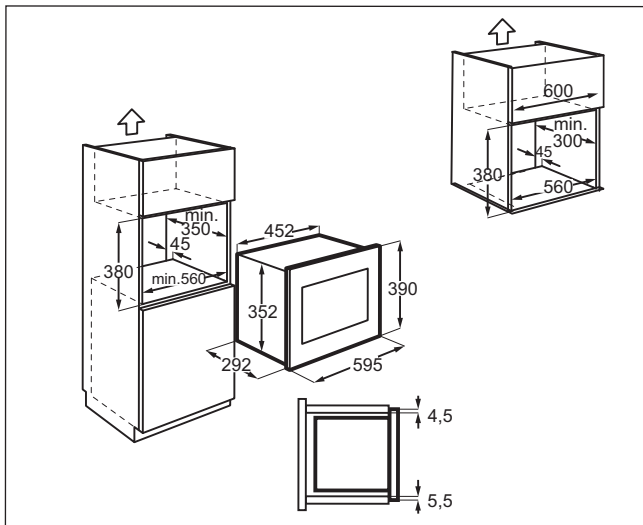
Maintenez les enfants à l'écart de la porte pour éviter qu'ils ne se brûlent.



IMPORTANT !

N'utilisez pas de décape fours vendus dans le commerce ou de produits abrasifs ou agressifs, ou de produits qui contiennent de la soude caustique, ou de tampons abrasifs sur une partie quelconque de votre four à micro-ondes.

INSTALLATION



INSTALLATION DE L'APPAREIL

1. Retirez tout l'emballage et contrôlez soigneusement pour détecter les traces de détérioration possibles.
2. Ajustez le support de fixation sur le côté droit de l'armoire de cuisine à l'aide de la feuille de montage et des deux vis fournies.
3. Placez l'appareil dans le placard de la cuisine lentement et sans forcer jusqu'à ce qu'il s'accroche aux supports. Assurez-vous que l'appareil est stable et centralisé.
4. Fixez le four du côté gauche à l'aide des deux vis fournies.
5. La porte avant du four doit être à hauteur du devant de l'ouverture du placard.

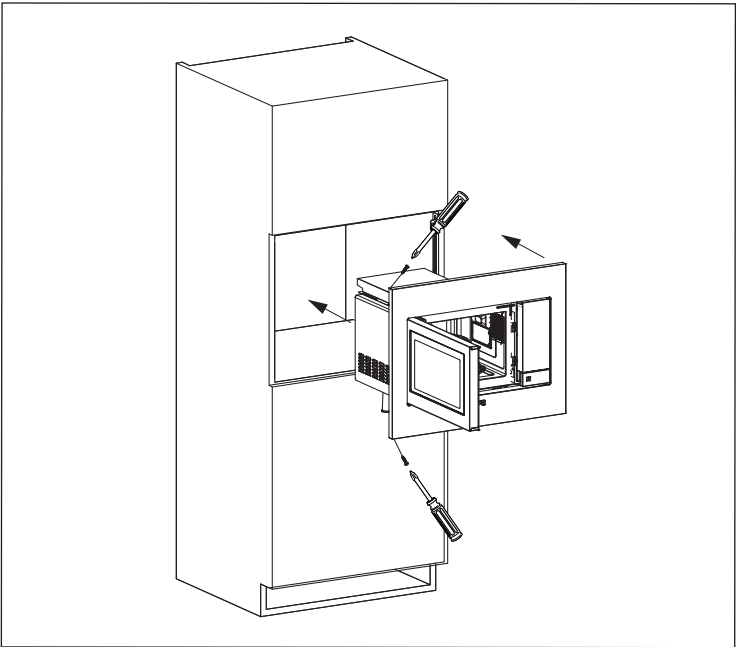
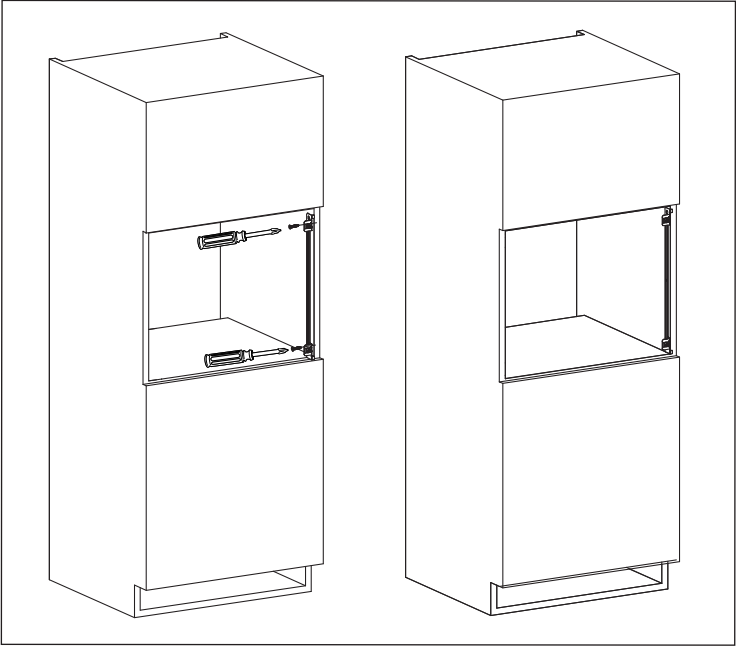


IMPORTANT !

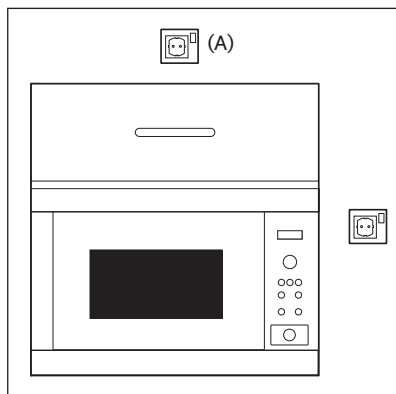
N'installez pas cet appareil dans des armoires de cuisine sans la cheminée arrière spécifiée de 45 mm.

Une ventilation inadéquate pourrait nuire aux performances et à la durée de vie de l'appareil.

N'installez pas cet appareil dans des armoires de cuisine adjacentes à des sources de chaleur et de vapeur telles que des plaques et des tables de cuisson. Ces sources pourraient nuire aux performances et à la durée de vie de l'appareil.



RACCORDEMENT ÉLECTRIQUE



- La prise électrique doit être facile d'accès pour que l'appareil puisse être débranché rapidement en cas d'urgence. Sinon, il devrait être possible d'isoler le four électriquement au niveau du secteur en incorporant un sectionneur dans le câblage fixe conformément à la réglementation concernant le câblage.
- Le cordon d'alimentation ne peut être remplacé que par un électricien.
- Si le cordon d'alimentation est endommagé, il doit être remplacé par le fabricant, son agent de service ou des personnes qualifiées afin d'éviter tout danger.
- La prise ne doit pas se trouver derrière le meuble.
- La meilleure position est au-dessus du meuble, comme illustré au point (A).
- Branchez l'appareil à une prise de terre et de courant alternatif 230-240 V/50 Hz correctement installée. Cette prise doit contenir un fusible de 10 ampères.
- Avant installation, nouez un morceau de ficelle autour du cordon d'alimentation pour faciliter le branchement au point (A).
- Si l'appareil est encastré dans un meuble haut, N'ÉCRASEZ PAS le cordon d'alimentation.
- N'immergez pas le cordon ni la prise dans de l'eau ou tout autre liquide.
- L'appareil ne doit pas être raccordé à l'aide d'un prolongateur, d'une prise multiple ou d'un raccordement multiple (risque d'incendie).
- Vérifiez que la prise de terre est conforme aux règlements en vigueur.
- Veillez à ce que le cordon d'alimentation ne pende pas à l'extérieur de la table ou du meuble sur lequel est posé le four.

CONSEIL SUPPLÉMENTAIRE

N'utilisez pas ce four pour faire de la friture. La température de l'huile ne peut pas être contrôlée et l'huile peut s'enflammer. Pour faire des popcorns, n'utilisez que les ustensiles conçus pour les fours à micro-ondes.

Si vous avez un STIMULATEUR CARDIAQUE, consultez votre médecin ou le fabricant du stimulateur afin de connaître les précautions que vous devez prendre lors de l'utilisation du four. Dans le cas de petites quantités (une saucisse, un croissant, etc.) posez un verre d'eau à côté de l'aliment.

N'introduisez aucun objet ou liquide dans les ouvertures des verrous de la porte ou dans les ouïes d'aération. En cas de déversement, éteignez et débranchez l'appareil immédiatement et appelez un agent de service ELECTROLUX agréé.

Ne modifiez pas ou n'essayez pas de modifier le four.

N'utilisez que le plateau tournant et le pied du plateau conçus pour ce four. N'utilisez jamais le four sans plateau tournant.

Pour éviter de casser le plateau tournant :

- Avant de nettoyer le plateau tournant, laissez-le refroidir.
- Ne placez pas des aliments chauds ou un plat chaud sur le plateau tournant lorsqu'il est froid.
- Ne placez pas des aliments froids ou un plat froid sur le plateau tournant lorsqu'il est chaud.

Ni le fabricant ni le distributeur ne peuvent être tenus pour responsable des dommages causés au four ou des blessures personnelles qui résulteraient de l'inobservation des consignes de branchement électrique. Des gouttes d'eau peuvent se former sur les parois de la cavité du four, autour des joints et des portées d'étanchéité. Cela ne traduit pas un défaut de fonctionnement ni des fuites de micro-ondes. Assurez-vous également que les décors ne sont pas à base d'éléments métalliques. Dans le doute, n'hésitez pas à procéder au test du verre d'eau.

- Test du verre d'eau. Ce test très simple vous permet de juger si un récipient est apte à la cuisson par micro-ondes. Placez dans le four le récipient à tester vide et posez à l'intérieur ou à côté de celui-ci un verre rempli d'eau qui absorbera l'énergie micro-ondes. Faites fonctionner le four pendant 1 minute à la puissance maximum. Si le récipient à tester reste froid, il convient à la cuisson par micro-ondes.

- Le papier absorbant vous rendra de grands services, vous l'utiliserez par exemple pour envelopper le pain, les brioches, les cakes à décongeler, pour griller le bacon dont il absorbera l'excès de matières grasses. Evitez l'emploi des serviettes en papier de couleur qui pourraient déteindre. Le papier sulfurisé et le papier paraffiné conviennent parfaitement pour les cuissons en papillotes et pour couvrir les plats. Les assiettes et les gobelets en carton seront réservés pour réchauffer à faible température.
- Les matières plastiques (plats, tasses, boîtes de congélation et emballages en plastique) de qualité alimentaire réagissent plus ou moins bien aux températures élevées et aux matières grasses chaudes. Réservez plutôt ces récipients aux utilisations à faibles températures et à la décongélation. Respectez les instructions du fabricant en utilisant du plastique dans le four. Evitez d'utiliser des matières plastiques avec des aliments ayant une forte teneur en matières grasses ou en sucre, (ou des boissons) car ceux-ci atteignent des températures élevées et pourraient faire fondre certains plastiques.

Certaines formes de récipients favorisent une pénétration plus homogène des micro-ondes dans les aliments. Préférez les récipients peu profonds aux angles arrondis (plats ronds ou ovales), adaptez au mieux les dimensions du plat au volume des préparations, choisissez un plat de forme circulaire du genre moule à savarin chaque fois que la nature de la préparation le permet.

Les barquettes en aluminium peuvent être utilisées en toute sécurité pour réchauffer des aliments dans le four à micro-ondes, dans les conditions suivantes :

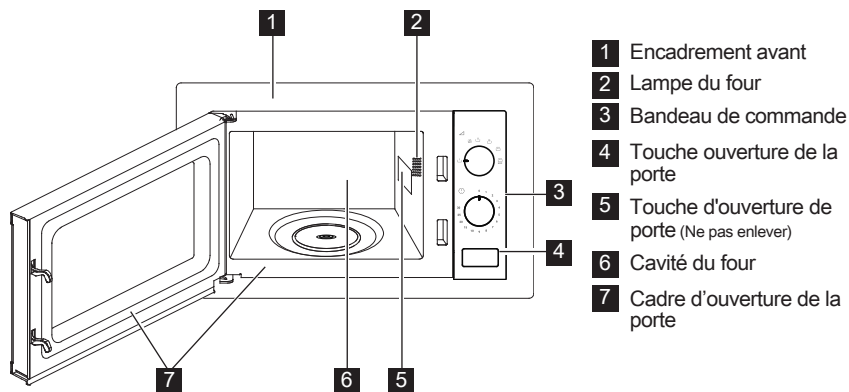
- Les barquettes en aluminium ne doivent pas dépasser 4 cm de profondeur.
- N'utilisez pas de couvercles en film d'aluminium.
- Les barquettes en aluminium doivent être remplies d'aliments au moins aux deux tiers. N'utilisez jamais de récipients vides.
- Les barquettes en aluminium ne doivent pas être en contact ou proche des parois du four (distance minimum 1 cm). La barquette en aluminium devra être placée sur un plat retourné allant au four.
- Les barquettes en aluminium ne doivent jamais être réutilisées dans le four à micro-ondes.

- Si le four à micro-ondes a été utilisé pendant 15 minutes ou plus, laissez-le refroidir avant de le réutiliser.
- Le récipient et le plateau tournant peuvent devenir très chauds pendant leur utilisation. Utilisez des gants de protection.
- Les durées de réchauffage ou de cuisson peuvent être prolongées avec un récipient en film d'aluminium. Assurez-vous que les aliments sont chauds avant de servir.

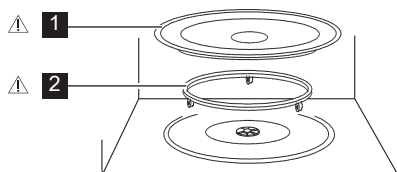
Concernant la/les lampe(s) à l'intérieur de ce produit et les lampes de rechange vendues séparément : Ces lampes sont conçues pour résister à des conditions physiques extrêmes dans les appareils électroménagers, telles que la température, les vibrations, l'humidité, ou sont conçues pour signaler des informations sur le statut opérationnel de l'appareil. Elles ne sont pas destinées à être utilisées dans d'autres applications et ne conviennent pas à l'éclairage des pièces d'un logement.

VUE D'ENSEMBLE DE L'APPAREIL

FOUR MICRO-ONDES



ACCESSOIRES



Vérifiez que les accessoires suivants sont fournis :

- 1 Plateau tournant
 - 2 Support d'entraînement
- Placez le support de plateau tournant au fond de la cavité.
 - Placez ensuite le plateau tournant sur le support de rotation.
 - Pour éviter d'endommager le plateau tournant, veillez à ce que les plats ou les récipients soient levés sans toucher le bord du plateau tournant lorsque vous les enlevez du four.



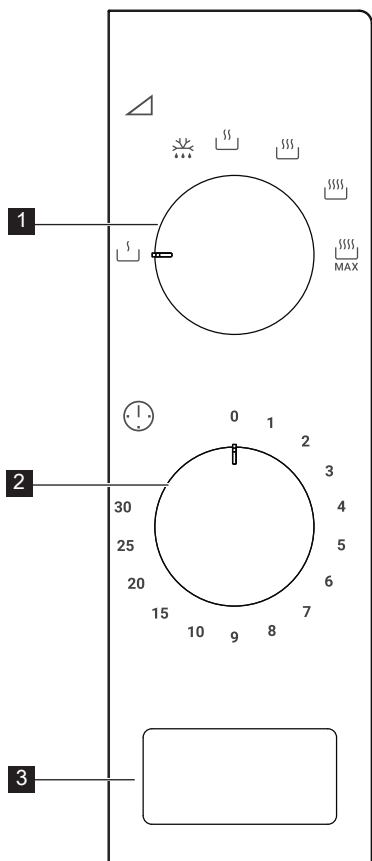
Lorsque vous commandez des accessoires, veuillez mentionner le nom de pièce et le nom de modèle à votre revendeur ou agent de service ELECTROLUX agréé.



ADVERTISSEMENT !

Ne faites pas fonctionner le four à micro-ondes sans ces pièces installées.

BANDEAU DE COMMANDE



- 1** Sélecteur de puissance/action
- 2** Bouton rotatif Minuteur
- 3** Touche ouverture de la porte

FONCTIONNEMENT

CUISSON AUX MICRO-ONDES

La cuisson au micro-ondes vous permet de personnaliser la puissance et la durée de cuisson. La durée maximale de cuisson est de 30 minutes.

Exemple : Pour cuire pendant 5 minutes à puissance moyenne-haute.




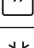
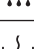

1. Ouvrez la porte du four et placez les aliments à l'intérieur. Fermez la porte.
2. Tournez le sélecteur de puissance/action sur moyenne-haute.
3. Tournez le bouton rotatif Minuteur pour entrer le temps de cuisson et commencer la cuisson.



Dès que le bouton rotatif Minuteur est mis en rotation, le four commence la cuisson. Lors de la sélection d'un temps de moins de 2 minutes, tournez le bouton rotatif Minuteur au-delà de 2 minutes et ramenez-le au temps souhaité. Des niveaux de puissance trop élevés ou des temps de cuisson trop longs risquent de surchauffer les aliments et de provoquer un incendie.



ATTENTION : Remettez toujours le bouton rotatif Minuteur à la position zéro lorsque vous enlevez la nourriture du four ou que vous n'utilisez pas le four. Pour arrêter le four pendant la cuisson, poussez le bouton d'ouverture de la porte.

Puissance de sortie	La Description	l'icône
100 %	Élevé	 MAX
88 %	Moyenne-haute	
73 %	Moyenne	
52 %	Moyenne-faible	
42 %	Decongélation	
20 %	Faible	


ASTUCES ET CONSEILS

VAISSELLE POUR FOURS À MICRO-ONDES

Plats	Transparent aux micro-ondes	Remarques
Film aluminium/ barquettes en aluminium	✓ / ✗	Il est possible d'utiliser de petites sections de film aluminium pour prévenir la surchauffe des aliments. Le film aluminium doit être distant de 2 cm au moins des parois du four pour éviter la formation d'arcs électriques. Il est déconseillé d'utiliser des barquettes en aluminium, à moins que leur usage ne soit spécifié par le fabricant. Respectez soigneusement les consignes d'utilisation.
Porcelaine et céramique	✓ / ✗	Les plats en porcelaine, poterie, faïence et porcelaine tendre conviennent généralement à une utilisation en micro-ondes, sauf s'ils comportent des décorations métalliques.
Plats en verre (p. ex. Pyrex®)	✓	Procédez avec soin en cas d'utilisation de plats en verre fin, car ils risquent de se casser ou de se fendre en cas de changement de température soudain.
Métal	✗	L'utilisation de plats en métal dans un four à micro-ondes est déconseillée, en raison du risque d'arc électrique et d'incendie.
Récipient en plastique/polystyrène (contenants de restauration rapide)	✓	Procédez avec soin car certains récipients peuvent se déformer, fondre ou se décolorer à température élevée.
Sacs de congélation/ brunisseurs	✓	Ils doivent être percés pour laisser la vapeur s'échapper. Vérifiez que les sacs conviennent à une utilisation en micro-ondes. N'utilisez pas d'attaches en plastique ou en métal, car elles risqueraient de fondre ou de prendre feu (arc électrique).
Assiettes, gobelets essuie-tout en papier	✓	Ils ne doivent être utilisés que pour réchauffer ou absorber l'humidité. Procédez avec soin car ils peuvent prendre feu en cas de surchauffe.
Récipients en paille ou en bois	✓	Ne laissez pas le four sans surveillance lorsque vous utilisez ces matériaux car ils peuvent prendre feu en cas de surchauffe.
Papier recyclé journaux	✗	Ils peuvent contenir des fragments de métal, susceptibles et journaux de produire un arc électrique et de provoquer un incendie.

CONSEILS DE CUISSON AUX MICRO-ONDES

Cuisson aux micro-ondes

Composition	Les aliments riches en graisse ou en sucre (p. ex. les plum-puddings et les pièces minces) exigent un temps de cuisson moindre. Procédez avec soin, car ils pourraient prendre feu en cas de surchauffe.
Taille	La cuisson est d'autant plus régulière que les morceaux ont la même taille.
Température	La température initiale des aliments affecte le temps de cuisson nécessaire. Les aliments de forme arrondie cuisent de façon plus uniforme que les aliments de forme carrée.
Disposez les aliments	Placez les parties les plus épaisses des aliments vers l'extérieur du plat (p. ex. pilons).
Recouvrez	Utilisez un film alimentaire pour micro-ondes ou un couvercle adéquat.
Percez	Les aliments qui comportent une coquille, une peau ou une membrane doivent être percés à plusieurs reprises avant d'être cuits ou réchauffés, car l'accumulation de vapeur pourrait les faire exploser (p. ex. pommes de terre, poisson, poulet, saucisses).  IMPORTANT ! il est déconseillé de cuire les oeufs au four à micro-ondes, car ceux-ci risquent d'exploser, même une fois la cuisson terminée (p. ex. oeufs pochés, durs).
Remuez, tournez et redispensez les aliments	Pour obtenir une cuisson uniforme, il est essentiel de remuer, tourner et redispensez les aliments pendant la cuisson. Remuez et redispensez toujours les aliments en partant de l'extérieur vers le centre.
Laissez reposer	Il est nécessaire de laisser les aliments reposer après la cuisson, afin de permettre à la chaleur de se propager de manière uniforme.
Protégez	Protégez ces parties à l'aide de petites sections de film aluminium qui refléteront les micro-ondes (p. ex. les pattes et les ailes d'un poulet).



Utilisez un porte-récipient ou des gants de protection lorsque vous retirez les aliments du four de façon à éviter toute brûlure. Ouvrez les récipients, les plats à popcorn, les sacs de cuisson, etc. de telle manière que la vapeur qui peut s'en échapper ne puisse vous brûler les mains ou le visage. Tenez-vous éloigné du four au moment où vous ouvrez sa porte de manière à éviter toute brûlure due à la vapeur ou à la chaleur. Coupez en tranches les plats cuisinés farcis après chauffage afin de laisser s'échapper la vapeur et d'éviter les brûlures.

EN CAS D'ANOMALIE DE FONCTIONNEMENT


Symptôme	Vérifiez/conseil . . .
Le four micro-ondes ne fonctionne pas correctement ?	<ul style="list-style-type: none">• Que les fusibles de la boîte à fusibles n'ont pas disjoncté.• Qu'il n'y a pas de coupure de courant.• Si les fusibles continuent de disjoncter faites appel à un électricien qualifié.
Le mode micro-ondes ne fonctionne pas ?	<ul style="list-style-type: none">• Que la porte est bien fermée.• Que les joints de la porte et leurs surfaces sont propres.
Le plateau tournant ne fonctionne pas ?	<ul style="list-style-type: none">• Que le support du plateau tournant est raccordé correctement à l'entraînement.• Que le plat de cuisson ne dépasse pas du plateau tournant.• Que les aliments ne dépassent pas du plateau tournant l'empêchant de tourner.• Qu'il n'y a rien dans la cavité située sous le plateau tournant.
Le four à micro-ondes ne se met pas à l'arrêt ?	<ul style="list-style-type: none">• Isolez l'appareil de la boîte à fusibles.• Appelez un agent de service ELECTROLUX agréé.
L'éclairage intérieur ne fonctionne pas ?	<ul style="list-style-type: none">• Appelez votre agent de service ELECTROLUX agréé. La lampe intérieure peut uniquement être remplacée par un agent de service ELECTROLUX agréé et formé.
Les aliments mettent plus longtemps à chauffer et à cuire qu'auparavant ?	<ul style="list-style-type: none">• Réglez un temps de cuisson plus long (pour quantité double = temps presque double) ou• Si l'aliment est plus froid que d'habitude, tournez-le ou retournez-le de temps en temps ou• Réglez à une puissance de cuisson supérieure.

CARACTÉRISTIQUES TECHNIQUES

Tension d'alimentation		230-240 V, 50 Hz, monophasé
Fusible/disjoncteur de protection		Minimum 10 A
Consommation électrique :	Micro-ondes	1.2 kW
Puissance :	Micro-ondes	700 W (IEC 60705)
Fréquence des micro-ondes		2450 MHz ¹⁾ (Groupe 2/Classe B)
Dimensions extérieures :	FMSN5S	595 mm (L) x 390 mm (H) x 312 mm (P)
Dimensions intérieures		315 mm (L) x 198 mm (H) x 294 mm (P) ²⁾
Capacité		17 litres ²⁾
Plateau tournant		∅ 245 mm, verre
Poids		env. 12,7 kg

- ¹⁾ Ce produit répond aux exigences de la norme européenne EN55011. Conformément à cette norme, ce produit est un équipement de groupe 2, classe B. Groupe 2 signifie que cet équipement génère volontairement de l'énergie RF sous forme de rayonnement électromagnétique pour le traitement thermique d'aliments. Classe B signifie que l'équipement est adapté à une utilisation domestique.
- ²⁾ La capacité intérieure est calculée en multipliant la largeur, la profondeur et la hauteur maximales. La contenance réelle pour les aliments est inférieure à celle-ci.

INFORMATIONS ENVIRONNEMENTALES

Recyclez les matériaux portant le symbole .
Déposez les emballages dans les conteneurs prévus à cet effet.

Contribuez à la protection de l'environnement et à votre sécurité, recyclez vos produits électriques et électroniques.

Ne jetez pas les appareils portant le symbole  avec les ordures ménagères. Emmenez un tel produit dans votre centre local de recyclage ou contactez vos services municipaux.



Type Approved
Safety
Regular Production
Surveillance

www.tuv.com
ID 1419066680

