

LXB1SE11W0
LXB1SF11W0



EN Refrigerator
DE Kühlschrank
IT Frigorifero
ES Frigorífico

User Manual 2
Benutzerinformation 22
Istruzioni per l'uso 45
Manual de instrucciones 68

CONTENTS

1. SAFETY INFORMATION.....	2
2. SAFETY INSTRUCTIONS.....	4
3. INSTALLATION.....	6
4. OPERATION.....	11
5. DAILY USE.....	12
6. HINTS AND TIPS.....	13
7. CARE AND CLEANING.....	16
8. TROUBLESHOOTING.....	17
9. NOISES.....	20
10. TECHNICAL DATA.....	20
11. INFORMATION FOR TEST INSTITUTES.....	20

WE'RE THINKING OF YOU

Thank you for purchasing an Electrolux appliance. You've chosen a product that brings with it decades of professional experience and innovation. Ingenious and stylish, it has been designed with you in mind. So whenever you use it, you can be safe in the knowledge that you'll get great results every time.

Welcome to Electrolux.

Visit our website to:



Get usage advice, brochures, trouble shooter, service and repair information:
www.electrolux.com/support



Register your product for better service:
www.registerelectrolux.com



Buy Accessories, Consumables and Original spare parts for your appliance:
www.electrolux.com/shop

CUSTOMER CARE AND SERVICE

Always use original spare parts.

When contacting our Authorised Service Centre, ensure that you have the following data available: Model, PNC, Serial Number.

The information can be found on the rating plate.

 Warning / Caution-Safety information

 General information and tips

 Environmental information

Subject to change without notice.

1. SAFETY INFORMATION

Before the installation and use of the appliance, carefully read the supplied instructions. The manufacturer is not responsible for any injuries or damage that are the result

of incorrect installation or usage. Always keep the instructions in a safe and accessible location for future reference.

1.1 Children and vulnerable people safety

- This appliance can be used by children aged from 8 years and above and persons with reduced physical, sensory or mental capabilities or lack of experience and knowledge if they have been given supervision or instruction concerning the use of the appliance in a safe way and understand the hazards involved.
- Children aged from 3 to 8 years are allowed to load and unload the appliance provided that they have been properly instructed.
- This appliance may be used by persons with very extensive and complex disabilities provided that they have been properly instructed.
- Children of less than 3 years of age should be kept away from the appliance unless continuously supervised.
- Do not let children play with the appliance.
- Children shall not carry out cleaning and user maintenance of the appliance without supervision.
- Keep all packaging away from children and dispose of it appropriately.

1.2 General Safety

- This appliance is intended to be used in household and similar applications such as:
 - Farm houses; staff kitchen areas in shops, offices and other working environments;
 - By clients in hotels, motels, bed and breakfast and other residential type environments.
- To avoid contamination of food respect the following instructions:
 - do not open the door for long periods;
 - clean regularly surfaces that can come in contact with food and accessible drainage systems;

- store raw meat and fish in suitable containers in the refrigerator, so that it is not in contact with or drip onto other food.
- **WARNING:** Keep ventilation openings, in the appliance enclosure or in the built-in structure, clear of obstruction.
- **WARNING:** Do not use mechanical devices or other means to accelerate the defrosting process, other than those recommended by the manufacturer.
- **WARNING:** Do not damage the refrigerant circuit.
- **WARNING:** Do not use electrical appliances inside the food storage compartments of the appliance, unless they are of the type recommended by the manufacturer.
- Do not use water spray and steam to clean the appliance.
- Clean the appliance with a moist soft cloth. Only use neutral detergents. Do not use abrasive products, abrasive cleaning pads, solvents or metal objects.
- When the appliance is empty for long period, switch it off, defrost, clean, dry and leave the door open to prevent mould from developing within the appliance.
- Do not store explosive substances such as aerosol cans with a flammable propellant in this appliance.
- If the supply cord is damaged, it must be replaced by the manufacturer, its Authorised Service Centre or similarly qualified persons in order to avoid a hazard.

2. SAFETY INSTRUCTIONS

2.1 Installation



WARNING!

Only a qualified person must install this appliance.

- Remove all the packaging.
- Do not install or use a damaged appliance.
- Follow the installation instructions supplied with the appliance.
- Always take care when moving the appliance as it is heavy. Always use safety gloves and enclosed footwear.
- Make sure the air can circulate around the appliance.
- At first installation or after reversing the door wait at least 4 hours before connecting the appliance to the power supply. This is to allow the oil to flow back in the compressor.
- Before carrying out any operations on the appliance (e.g. reversing the

door), remove the plug from the power socket.

- Do not install the appliance close to radiators or cookers, ovens or hobs.
- Do not expose the appliance to the rain.
- Do not install the appliance where there is direct sunlight.
- Do not install this appliance in areas that are too humid or too cold.
- When you move the appliance, lift it by the front edge to avoid scratching the floor.

2.2 Electrical connection



WARNING!

Risk of fire and electric shock.



WARNING!

When positioning the appliance, ensure the supply cord is not trapped or damaged.



WARNING!

Do not use multi-plug adapters and extension cables.

- The appliance must be earthed.
- Make sure that the parameters on the rating plate are compatible with the electrical ratings of the mains power supply.
- Always use a correctly installed shockproof socket.
- Make sure not to cause damage to the electrical components (e.g. mains plug, mains cable, compressor). Contact the Authorised Service Centre or an electrician to change the electrical components.
- The mains cable must stay below the level of the mains plug.
- Connect the mains plug to the mains socket only at the end of the installation. Make sure that there is access to the mains plug after the installation.
- Do not pull the mains cable to disconnect the appliance. Always pull the mains plug.

2.3 Use



WARNING!

Risk of injury, burns, electric shock or fire.



The appliance contains flammable gas, isobutane (R600a), a natural gas with a high level of environmental compatibility. Be careful not to cause damage to the refrigerant circuit containing isobutane.

- Do not change the specification of this appliance.
- Do not put electrical appliances (e.g. ice cream makers) in the appliance unless they are stated applicable by the manufacturer.
- If damage occurs to the refrigerant circuit, make sure that there are no flames and sources of ignition in the room. Ventilate the room.
- Do not let hot items to touch the plastic parts of the appliance.
- Do not put soft drinks in the freezer compartment. This will create pressure on the drink container.
- Do not store flammable gas and liquid in the appliance.
- Do not put flammable products or items that are wet with flammable products in, near or on the appliance.
- Do not touch the compressor or the condenser. They are hot.
- Do not remove or touch items from the freezer compartment if your hands are wet or damp.
- Do not freeze again food that has been thawed.
- Follow the storage instructions on the packaging of frozen food.
- Wrap the food in any food contact material before putting it in the freezer compartment.

2.4 Internal lighting



WARNING!

Risk of electric shock.

- Concerning the lamp(s) inside this product and spare part lamps sold separately: These lamps are intended to withstand extreme physical

conditions in household appliances, such as temperature, vibration, humidity, or are intended to signal information about the operational status of the appliance. They are not intended to be used in other applications and are not suitable for household room illumination.

2.5 Care and cleaning



WARNING!

Risk of injury or damage to the appliance.

- Before maintenance, deactivate the appliance and disconnect the mains plug from the mains socket.
- This appliance contains hydrocarbons in the cooling unit. Only a qualified person must do the maintenance and the recharging of the unit.
- Regularly examine the drain of the appliance and if necessary, clean it. If the drain is blocked, defrosted water collects in the bottom of the appliance.

2.6 Service

- To repair the appliance contact the Authorised Service Centre. Use original spare parts only.
- Please note that self-repair or non-professional repair can have safety consequences and might void the guarantee.
- The following spare parts will be available for 7 years after the model

has been discontinued: thermostats, temperature sensors, printed circuit boards, light sources, door handles, door hinges, trays and baskets. Please note that some of these spare parts are only available to professional repairers, and that not all spare parts are relevant for all models.

- Door gaskets will be available for 10 years after the model has been discontinued.

2.7 Disposal



WARNING!

Risk of injury or suffocation.

- Disconnect the appliance from the mains supply.
- Cut off the mains cable and discard it.
- Remove the door to prevent children and pets to be closed inside of the appliance.
- The refrigerant circuit and the insulation materials of this appliance are ozone-friendly.
- The insulation foam contains flammable gas. Contact your municipal authority for information on how to discard the appliance correctly.
- Do not cause damage to the part of the cooling unit that is near the heat exchanger.

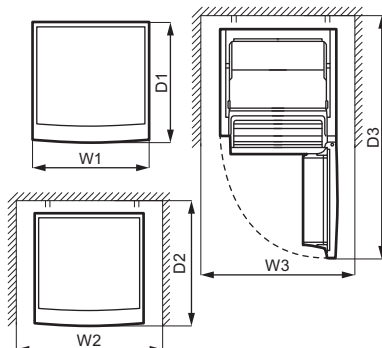
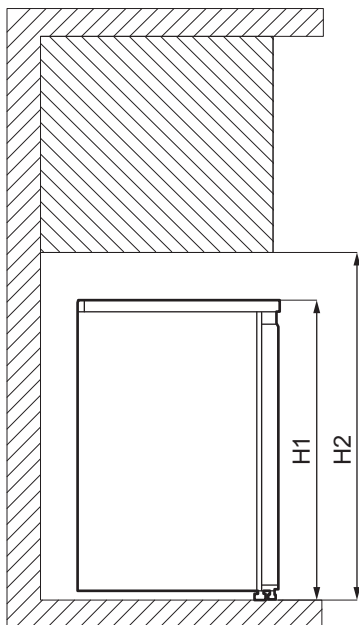
3. INSTALLATION



WARNING!

Refer to Safety chapters.

3.1 Dimensions



Overall dimensions ¹⁾		
H1	mm	845
W1	mm	560
D1	mm	575

¹⁾ the height, width and depth of the appliance without the handle and feet

Space required in use ¹⁾		
H2	mm	945
W2	mm	760
D2	mm	650

¹⁾ the height, width and depth of the appliance including the handle, plus the space necessary for free circulation of the cooling air

Overall space required in use ¹⁾		
H2	mm	945
W3	mm	760
D3	mm	1165

¹⁾ the height, width and depth of the appliance including the handle, plus the space necessary for free circulation of the cooling air, plus the space necessary to allow door opening to the minimum angle permitting removal of all internal equipment

3.2 Location

This appliance is not intended to be used as a built-in appliance.

In case of different installation from freestanding respecting space required in use dimensions, the appliance will

function correctly but energy consumption might increase slightly.

To ensure appliance's best functionality, you should not install the appliance in the nearby of the heat source (oven, stoves, radiators, cookers or hobs) or in a place with direct sunlight. Make sure that air can circulate freely around the back of the cabinet.

This appliance should be installed in a dry, well ventilated indoor position.

To ensure best performance, if the appliance is positioned below an overhanging wall unit, the minimum distance between the top of the cabinet shall be maintained. Ideally, however, the appliance should not be positioned below overhanging wall units. One or more adjustable feet at the base of the cabinet ensure that the appliance stands level.



CAUTION!

If you position the appliance against the wall, use back spacers provided or keep the minimum distance indicated in the installation instructions.



CAUTION!

If you install the appliance next to a wall, refer to the installation instructions to understand the minimum distance between the wall and the side of the appliance where door hinges are to provide enough space to open the door when the internal equipment is removed (e.g. when cleaning).

This appliance is intended to be used at ambient temperature ranging from 10°C to 43°C.



The correct operation of the appliance can only be guaranteed within the specified temperature range.



If you have any doubts regarding where to install the appliance, please turn to the vendor, to our customer service or to the nearest Authorised Service Centre.



It must be possible to disconnect the appliance from the mains power supply. The plug must therefore be easily accessible after installation.

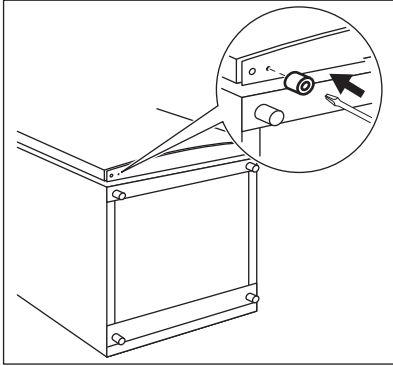
3.3 Electrical connection

- Before plugging in, ensure that the voltage and frequency shown on the rating plate correspond to your domestic power supply.
- The appliance must be earthed. The power supply cable plug is provided with a contact for this purpose. If the domestic power supply socket is not earthed, connect the appliance to a separate earth in compliance with current regulations, consulting a qualified electrician.
- The manufacturer declines all responsibility if the above safety precautions are not observed.
- This appliance complies with the E.E.C. Directives.

3.4 Rubber supporting pad

There is no need to install this additional equipment provided in a bag to your appliance during normal use.

However, there is a risk the appliance become unstable when all food products are placed only on door shelves. In this case install the rubber supporting pad:



1. Tilt the appliance carefully on a soft foam packaging or similar material to avoid any damage to the back of the appliance and the floor.
2. Find a hole in a lower base cover and insert a screw into the rubber supporting pad.
3. Screw it to the base cover with a cross screwdriver.

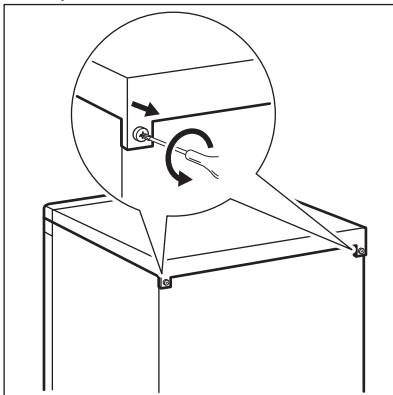
3.5 Door reversibility



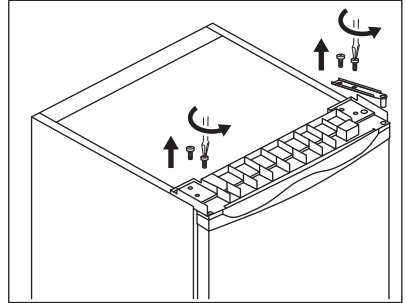
WARNING!

Before carrying out any operations, remove the plug from the power socket.

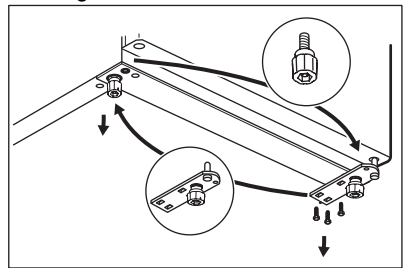
1. Make sure the appliance stands upright.
2. Open the door and remove the door equipment. Refer to "Daily Use" chapter. Close the door.
3. Unscrew the screws on the back of the top cover.



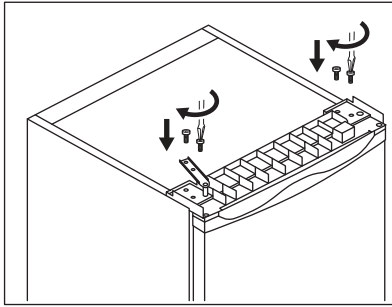
4. Lift the top cover and place it on a soft surface.
5. Unscrew the 4 screws.



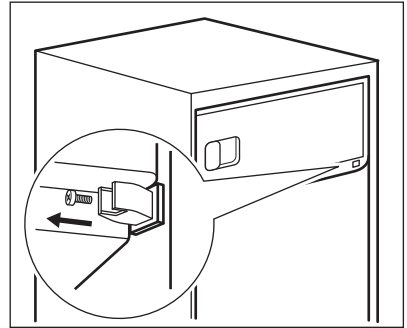
6. Lift the upper hinge and put it in a safe place together with the screws.
7. Lift the door and put it on a soft surface.
8. Tilt the appliance carefully on a soft foam packaging or similar material to avoid any damage to the back of the appliance and the floor.
9. Unscrew the screws of the bottom hinge and adjustable feet.
10. Install the pin in the opposite hole of the hinge.



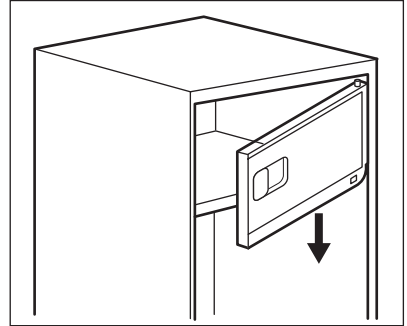
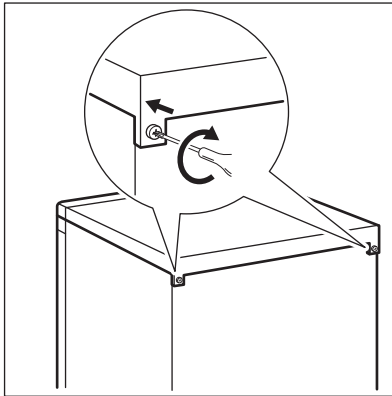
11. Screw the bottom hinge on the other side of the appliance.
12. Install the rubber support on the side with no hinge.
13. Fit the door on the lower hinge making sure the hinge pin enters the door bottom hole.
14. Install the upper hinge on the opposite side of the appliance. Fit the upper hinge pin into the door upper hole. Tighten the screws.



15. Screw the remaining 2 screws on the top side of the appliance with no hinge.
16. Place the top cover on the appliance and tighten the screws on the back.



2. Open a freezer compartment door slightly. Pull down the freezer compartment door and the cap from the door upper bearing.



3. Remove the installation buckle and install it on the opposite side.

Install the door equipment.

Wait at least 4 hours before connecting the appliance to the power supply.

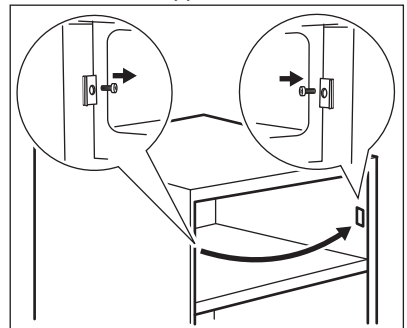
3.6 Reversing the freezer compartment door



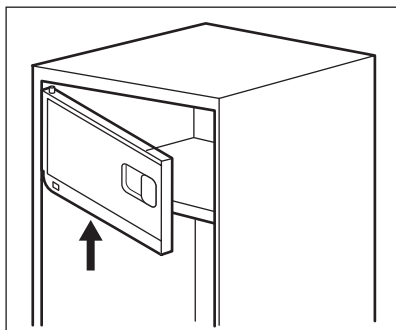
WARNING!

Before carrying out any operations, remove the plug from the power socket.

1. Close the freezer compartment door. Unscrew the screw of the installation button. Place the installation button and the screw in a safe place.

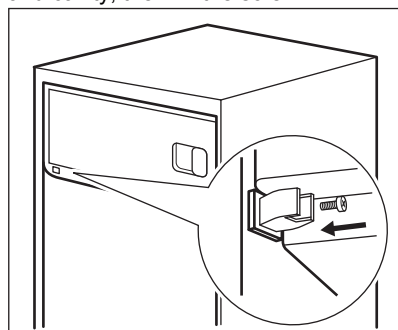


4. Reverse the freezer compartment door by 180 degrees. Install the cap on the door upper bearing.



5. Fit the freezer compartment door and close them.
6. Fix the installation button to the door lower bearing. Press the installation button until there is no gap between it

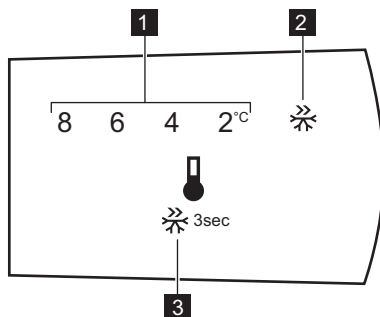
and cavity, then fix the screw.



7. Take out hole covers from a bag and put them in the holes left after the door hinge.

4. OPERATION

4.1 Control panel



1. Temperature indicator
2. Super Freeze indicator
3. Control button

4.2 Switching on

Insert the plug into the wall socket.

4.3 Switching off

To turn off the appliance, remove the plug from the power socket.

4.4 Temperature regulation



The default set temperature for the fridge compartment is 4°C.

To set the temperature, press the control button repeatedly until you reach the desired temperature.

Choose the setting keeping in mind that the temperature inside the appliance depends on:

- room temperature,
 - frequency of opening the door,
 - quantity of food stored,
 - appliance location.
- A medium setting is generally the most suitable one.

4.5 Super Freeze function

The Super Freeze is used to perform pre-freezing and fast freezing in sequence of Freezer compartment. This function accelerates the freezing of fresh food and, at the same time, protects foodstuffs already stored from undesirable warming.

- i** To freeze fresh food activate the Super Freeze function at least 24 hours before placing the food to complete pre-freezing.

To activate the Super Freeze function, press and hold the Control button for 3 seconds. The Super Freeze indicator flashes.

This function stops automatically after 52 hours.

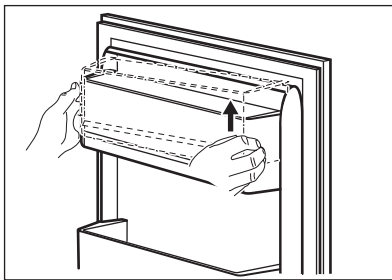
You can deactivate the Super Freeze function before its automatic end by pressing and holding the Control button for 3 seconds. The Super Freeze indicator turns off.

5. DAILY USE

5.1 Removing and installing the door shelf

To remove the door shelf:

1. Hold the left side of the shelf.
2. Lift the right side of the shelf until it comes free from the fastener.



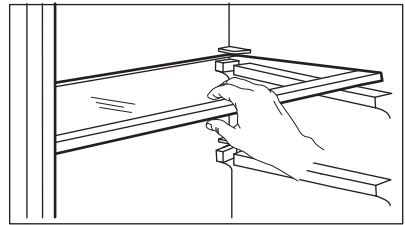
3. Lift the left side of the shelf and remove it.

To put the shelf back in:

1. Place the shelf flat on the door.
2. Push two sides of the shelf downwards at the same time so that the shelf fits both fasteners.

5.2 Movable shelves

The walls of the refrigerator compartment are equipped with a series of runners so that the shelves can be positioned as desired.



- i** To ensure correct air circulation, do not move the glass shelf above the vegetable drawer.

5.3 Vegetable drawer

There is a special drawer in the bottom part of the appliance suitable for storage of fruits and vegetables.

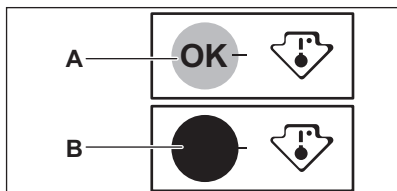
5.4 Temperature indicator

For proper storage of food the refrigerator is equipped with the

temperature indicator. The symbol on the side wall of the appliance indicates the coldest area in the refrigerator.

If OK is displayed (A), put fresh food into area indicated by symbol, if not (B), wait at least 12 hours and check if it is OK (A).

If it is still not OK (B), adjust the setting control to a colder setting.



5.5 Freezing fresh food

The freezer compartment is suitable for freezing fresh food and storing frozen and deep-frozen food for a long time.

To freeze fresh food activate the Super Freeze function at least 24 hours before placing the food to be frozen in the freezer compartment.

Store the fresh food evenly distributed in the freezing compartment.

The maximum amount of food that can be frozen without adding other fresh food during 24 hours is specified on the rating plate (a label located inside the appliance).

5.6 Storage of frozen food

When activating an appliance for the first time or after a period out of use, before

putting the products in the compartment let the appliance run at least 3 hours with the Super Freeze function switched on.

Keep the food no closer than 15 mm from the door.



CAUTION!

In the event of accidental defrosting, for example due to a power failure, if the power has been off for longer than the value shown on rating plate under "rising time", the defrosted food must be consumed quickly or cooked immediately then cooled and then re-frozen.

5.7 Thawing

Deep-frozen or frozen food, prior to being used, can be thawed in the refrigerator compartment or at room temperature, depending on the time available for this operation.

Small pieces may even be cooked still frozen, directly from the freezer: in this case, cooking will take longer.

5.8 Ice-cube tray

This appliance is equipped with one or more trays for the production of ice-cubes.



Do not use metallic instruments to remove the trays from the freezer compartment.

1. Fill the ice-cube trays with water.
2. Put them in the freezer compartment.

6. HINTS AND TIPS

6.1 Hints for energy saving

- Fridge: Most efficient use of energy is ensured in the configuration with the drawers in the bottom part of the appliance and shelves evenly distributed. Position of the door bins does not affect energy consumption.
- Do not open the door frequently or leave it open longer than necessary.
- Fridge: Do not set too high temperature to save energy unless it is required by the characteristics of the food.
- If the ambient temperature is high and the temperature control is set to low temperature and the appliance is fully loaded, the compressor may run continuously, causing frost or ice formation on the evaporator. In this case, set the temperature control

toward higher temperature to allow automatic defrosting and to save energy this way.

- Ensure a good ventilation. Do not cover the ventilation grilles or holes.


6.2 Hints for freezing

- Activate Super Freeze function at least 24 hours before placing the food inside the freezer compartment.
- Before freezing wrap and seal fresh food in: aluminium foil, plastic film or bags, airtight containers with lid.
- For more efficient freezing and thawing divide food into small portions.
- It is recommended to put labels and dates on all your frozen food. This will help to identify foods and to know when they should be used before their deterioration.
- The food should be fresh when being frozen to preserve good quality. Especially fruits and vegetables should be frozen after the harvest to preserve all of their nutrients.
- Do not freeze bottles or cans with liquids, in particular drinks containing carbon dioxide - they may explode during freezing.
- Do not put hot food in the freezer compartment. Cool it down at room temperature before placing it inside the compartment.
- To avoid increase in temperature of already frozen food, do not place fresh unfrozen food directly next to it. Place food at room temperature in the part of the freezer compartment where there is no frozen food.
- Do not eat ice cubes, water ices or ice lollies immediately after taking them out of the freezer. Risk of frostbites.
- Do not re-freeze defrosted food. If the food has defrosted, cook it, cool it down and then freeze it.

6.5 Shelf life for freezer compartment

Type of food	Shelf life (months)
Bread	3
Fruits (except citrus)	6 - 12

6.3 Hints for storage of frozen food

- Freezer compartment is the one marked with .
- Higher temperature setting inside the appliance may lead to shorter shelf life.
- The whole freezer compartment is suitable for storage of frozen food products.
- Leave enough space around the food to allow air to circulate freely.
- For adequate storage refer to food packaging label to see the shelf life of food.
- It is important to wrap the food in such a way that prevents water, humidity or condensation from getting inside.

6.4 Shopping tips

After grocery shopping:

- Ensure that the packaging is not damaged - the food could be deteriorated. If the package is swollen or wet, it might have not been stored in the optimal conditions and defrosting may have already started.
- To limit the defrosting process buy frozen goods at the end of your grocery shopping and transport them in a thermal and insulated cool bag.
- Place the frozen foods immediately in the freezer after coming back from the shop.
- If food has defrosted even partially, do not re-freeze it. Consume it as soon as possible.
- Respect the expiry date and the storage information on the package.


Type of food	Shelf life (months)
Vegetables	8 - 10
Leftovers without meat	1 - 2
Dairy food:	
Butter	6 - 9
Soft cheese (e.g. mozzarella)	3 - 4
Hard cheese (e.g. parmesan, cheddar)	6
Seafood:	
Fatty fish (e.g. salmon, mackerel)	2 - 3
Lean fish (e.g. cod, flounder)	4 - 6
Shrimps	12
Shucked clams and mussels	3 - 4
Cooked fish	1 - 2
Meat:	
Poultry	9 - 12
Beef	6 - 12
Pork	4 - 6
Lamb	6 - 9
Sausage	1 - 2
Ham	1 - 2
Leftovers with meat	2 - 3

6.6 Hints for fresh food refrigeration

- Good temperature setting that ensures preservation of fresh food is a temperature less than or equal to +4°C.
Higher temperature setting inside the appliance may lead to shorter shelf life of food.
- Cover the food with packaging to preserve its freshness and aroma.
- Always use closed containers for liquids and for food, to avoid flavours or odours in the compartment.
- To avoid the cross-contamination between cooked and raw food, cover the cooked food and separate it from the raw one.
- It is recommended to defrost the food inside the fridge.
- Do not insert hot food inside the appliance. Make sure it has cooled down at room temperature before inserting it.

- To prevent food waste the new stock of food should always be placed behind the old one.

6.7 Hints for food refrigeration

- Fresh food compartment is the one marked (on the rating plate) with .
- Meat (all types): wrap in a suitable packaging and place it on the glass shelf above the vegetable drawer. Store meat for at most 1-2 days.
- Fruit and vegetables: clean thoroughly (eliminate the soil) and place in a special drawer (vegetable drawer).
- It is advisable not to keep the exotic fruits like bananas, mangos, papayas etc. in the refrigerator.
- Vegetables like tomatoes, potatoes, onions, and garlic should not be kept in the refrigerator.
- Butter and cheese: place in an airtight container or wrap in an aluminium foil or a polythene bag to exclude as much air as possible.

- Bottles: close them with a cap and place them on the door bottle shelf, or (if available) on the bottle rack.
- Always refer to the expiry date of the products to know how long to keep them.

7. CARE AND CLEANING



WARNING!
Refer to Safety chapters.

7.1 Cleaning the interior

Before using the appliance for the first time, the interior and all internal accessories should be washed with lukewarm water and some neutral soap to remove the typical smell of a brand-new product, then dried thoroughly.



CAUTION!
Do not use detergents, abrasive powders, chlorine or oil-based cleaners as they will damage the finish.



CAUTION!
The accessories and parts of the appliance are not suitable for washing in a dishwasher.

7.2 Periodic cleaning

The equipment has to be cleaned regularly:

1. Clean the inside and accessories with lukewarm water and some neutral soap.
2. Regularly check the door seals and wipe them clean to ensure they are clean and free from debris.
3. Rinse and dry thoroughly.

7.3 Defrosting of the appliance



CAUTION!
Never use sharp metal tools to scrape off frost from the evaporator as you could damage it.
Do not use a mechanical device or any artificial means to speed up the thawing process other than those recommended by the manufacturer.



About 12 hours prior to defrosting set a lower temperature in order to build up sufficient chill reserve in case of any interruption in operation.



Defrosting in the fridge compartment is automatic.

Defrost the freezer compartment when the frost layer reaches a thickness of about 3-5 mm.

To defrost freezer compartment:

1. Switch off the appliance or pull out electrical plug from the wall socket.
2. Remove any stored food, wrap it in several layers of newspaper and put it in a cool place.



CAUTION!
A temperature rise of the frozen food packs during defrosting may shorten their safe storage life.
Do not touch frozen goods with wet hands.
Hands can freeze to the goods.

3. Remove the ice tray.
4. Leave the door open. Protect the floor from the defrosting water e.g. with a cloth or a flat vessel.
5. In order to speed up the defrosting process, place a pot of warm water in

the freezer compartment. In addition, remove pieces of ice that break away before defrosting is complete.

6. When defrosting is complete, dry the interior thoroughly.
7. Switch on the appliance and close the door.
8. Set the temperature regulator to obtain the maximum coldness and run the appliance for three hours using this setting.

Only after this time put the food back into the freezer compartment.

7.4 Periods of non-operation

When the appliance is not in use for long periods, take the following precautions:

1. Disconnect the appliance from electricity supply.
2. Remove all food.
3. Defrost the appliance.
4. Clean the appliance and all accessories.
5. Leave the doors open to prevent unpleasant smells.

8. TROUBLESHOOTING



WARNING!

Refer to Safety chapters.

8.1 What to do if...

Problem	Possible cause	Solution
The appliance does not operate.	The appliance is switched off.	Switch on the appliance.
	The mains plug is not connected to the mains socket correctly.	Connect the mains plug to the mains socket correctly.
	There is no voltage in the mains socket.	Connect a different electrical appliance to the mains socket. Contact a qualified electrician.
The appliance is noisy.	The appliance is not supported properly.	Check if the appliance stands stable.
The compressor operates continually.	Temperature is set incorrectly.	Refer to "Operation" chapter.
	Many food products were put in at the same time.	Wait a few hours and then check the temperature again.
	The room temperature is too high.	Refer to "Installation" chapter.
	Food products placed in the appliance were too warm.	Allow food products to cool to room temperature before storing.
	The door is not closed correctly.	Refer to "Closing the door" section.
	The Super Freeze function is switched on.	Refer to "Super Freeze function" section.

Problem	Possible cause	Solution
The compressor does not start immediately after pressing the "Super Freeze", or after changing the temperature.	The compressor starts after a period of time.	This is normal, no error has occurred.
Door is misaligned or interferes with ventilation grill.	The appliance is not levelled.	Refer to installation instructions.
Door does not open easily.	You attempted to re-open the door immediately after closing.	Wait a few seconds between closing and re-opening of the door.
The lamp does not work.	The lamp is in stand-by mode.	Close and open the door.
	The lamp is defective.	Contact the nearest Authorized Service Centre.
There is too much frost and ice.	The door is not closed correctly.	Refer to "Closing the door" section.
	The gasket is deformed or dirty.	Refer to "Closing the door" section.
	Food products are not wrapped properly.	Wrap the food products better.
	Temperature is set incorrectly.	Refer to "Operation" chapter.
	Appliance is fully loaded and is set to the lowest temperature.	Set a higher temperature. Refer to "Operation" chapter.
	Temperature set in the appliance is too low and the ambient temperature is too high.	Set a higher temperature. Refer to "Operation" chapter.
Water flows on the rear plate of the refrigerator.	During the automatic defrosting process, frost melts on the rear plate.	This is correct. Dry the water with a soft cloth.
There is too much condensed water on the rear wall of the refrigerator.	Door was opened too frequently.	Open the door only when necessary.
	Door was not closed completely.	Make sure the door is closed completely.
	Stored food was not wrapped.	Wrap food in suitable packaging before storing it in the appliance.

Problem	Possible cause	Solution
Water flows inside the refrigerator.	Food products prevent the water from flowing into the water collector.	Make sure that food products do not touch the rear plate.
	The water outlet is clogged.	Clean the water outlet.
Water flows on the floor.	The melting water outlet is not connected to the evaporative tray above the compressor.	Attach the melting water outlet to the evaporative tray.
Temperature cannot be set.	The Super Freeze function is switched on.	Switch off Super Freeze function manually, or wait until the function deactivates automatically to set the temperature. Refer to "Super Freeze function" section.
The temperature in the appliance is too low/too high.	The temperature is not set correctly.	Set a higher/lower temperature.
	The door is not closed correctly.	Refer to "Closing the door" section.
	The food products' temperature is too high.	Let the food products temperature decrease to room temperature before storage.
	Many food products are stored at the same time.	Store less food products at the same time.
	The thickness of the frost is greater than 4-5 mm.	Defrost the appliance.
	The door has been opened often.	Open the door only if necessary.
	The Super Freeze function is switched on.	Refer to "Super Freeze function" section.



If the advice does not lead to the desired result, call the nearest Authorized Service Centre.

8.2 Replacing the lamp

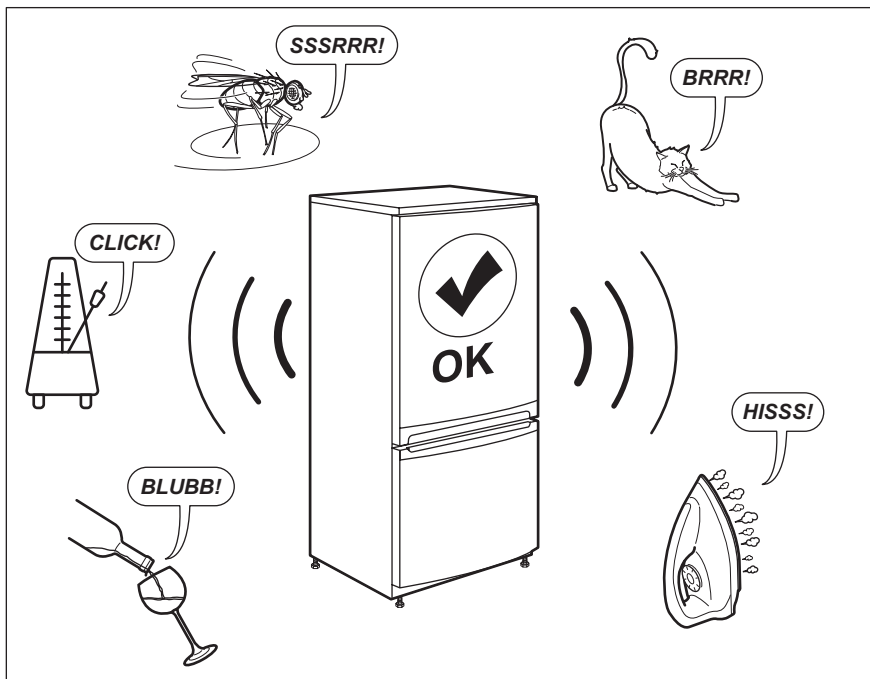
The appliance is equipped with a longlife LED interior light.

Only service is allowed to replace the lighting device. Contact your Authorised Service Centre.

8.3 Closing the door

1. Clean the door gaskets.
2. If necessary, adjust the door. Refer to "Installation" chapter.
3. If necessary, replace the defective door gaskets. Contact the Authorised Service Centre.

9. NOISES



10. TECHNICAL DATA

The technical information is situated in the rating plate on the internal side of the appliance and on the energy label.

The QR code on the energy label supplied with the appliance provides a web link to the information related to the performance of the appliance in the EU EPREL database. Keep the energy label for reference together with the user manual and all other documents provided with this appliance.

It is also possible to find the same information in EPREL using the link <https://eprel.ec.europa.eu> and the model name and product number that you find on the rating plate of the appliance.


See the link www.theenergylabel.eu for detailed information about the energy label.


11. INFORMATION FOR TEST INSTITUTES

Installation and preparation of the appliance for any EcoDesign verification shall be compliant with EN 62552. Ventilation requirements, recess dimensions and minimum rear

clearances shall be as stated in this User Manual at Chapter 3. Please contact the manufacturer for any other further information, including loading plans.

12. ENVIRONMENTAL CONCERNS

Recycle materials with the symbol . Put the packaging in relevant containers to recycle it. Help protect the environment and human health by recycling waste of electrical and electronic appliances. Do not dispose of

appliances marked with the symbol  with the household waste. Return the product to your local recycling facility or contact your municipal office.

INHALTSVERZEICHNIS

1. SICHERHEITSHINWEISE.....	22
2. SICHERHEITSANWEISUNGEN.....	25
3. MONTAGE.....	27
4. BETRIEB.....	33
5. TÄGLICHER GEBRAUCH.....	34
6. TIPPS UND HINWEISE.....	35
7. REINIGUNG UND PFLEGE.....	38
8. FEHLERSUCHE.....	39
9. GERÄUSCHE.....	43
10. TECHNISCHE DATEN.....	43
11. INFORMATIONEN FÜR PRÜFINSTITUTE.....	43

WIR DENKEN AN SIE

Vielen Dank, dass Sie sich für ein Gerät von Electrolux entschieden haben. Sie haben ein Produkt gewählt, hinter dem jahrzehntelange professionelle Erfahrung und Innovation stehen. Bei der Entwicklung dieses großartigen und eleganten Geräts haben wir an Sie gedacht. So haben Sie bei jedem Gebrauch die Gewissheit, dass Sie stets großartige Ergebnisse erzielen werden. Willkommen bei Electrolux.

Besuchen Sie uns auf unserer Website, um:



Anwendungshinweise, Prospekte, Fehlerbehebungs-, Service- und Reparatur-Informationen zu erhalten:

www.electrolux.com/support



Ihr erworbenes Produkt zu registrieren, um den besten Service für es zu gewährleisten:

www.registerelectrolux.com






Zubehör, Verbrauchsmaterial und Original-Ersatzteile für Ihr Gerät zu erwerben:

www.electrolux.com/shop

REPARATUR- UND KUNDENDIENST

Verwenden Sie ausschließlich Original-Ersatzteile.
Halten Sie folgende Angaben bereit, wenn Sie sich an den Kundendienst wenden: Modell, Produktnummer (PNC), Seriennummer.
Diese Informationen finden Sie auf dem Typenschild.

-  Warnungs-/Sicherheitshinweise
-  Allgemeine Informationen und Empfehlungen
-  Informationen zum Umweltschutz

Änderungen vorbehalten.

1. SICHERHEITSHINWEISE

Lesen Sie vor der Montage und dem Gebrauch des Geräts zuerst die Bedienungsanleitung. Bei

Verletzungen oder Schäden infolge nicht ordnungsgemäßer Montage oder Verwendung übernimmt der Hersteller keine Haftung. Bewahren Sie die Anleitung zum Nachschlagen an einem sicheren und zugänglichen Ort auf.

1.1 Sicherheit von Kindern und schutzbedürftigen Personen

- Das Gerät kann von Kindern ab 8 Jahren und Personen mit eingeschränkten physischen, sensorischen oder geistigen Fähigkeiten oder mit mangelnder Erfahrung und/oder mangelndem Wissen nur dann verwendet werden, wenn sie durch eine für ihre Sicherheit zuständige Person beaufsichtigt werden oder in die sichere Verwendung des Geräts eingewiesen wurden und die mit dem Gerät verbundenen Gefahren verstanden haben.
- Kinder zwischen 3 und 8 Jahren dürfen das Gerät be- und entladen, vorausgesetzt, sie wurden ordnungsgemäß eingewiesen.
- Dieses Gerät kann von Personen mit schweren und komplexen Behinderungen benutzt werden, vorausgesetzt, sie wurden ordnungsgemäß eingewiesen.
- Halten Sie Kinder unter 3 Jahren vom Gerät fern, wenn sie nicht ständig beaufsichtigt werden.
- Kinder dürfen nicht mit dem Gerät spielen.
- Kinder dürfen keine Reinigung und Wartung ohne Beaufsichtigung durchführen.
- Halten Sie sämtliches Verpackungsmaterial von Kindern fern und entsorgen Sie es ordnungsgemäß.

1.2 Allgemeine Sicherheit

- Dieses Gerät ist für die Verwendung im Haushalt und ähnliche Zwecke vorgesehen, wie z. B.:
 - Bauernhöfe, Personalküchenbereiche in Geschäften, Büros und anderen Arbeitsumfeldern;

- Für Gäste in Hotels, Motels, Pensionen und anderen wohnungsähnlichen Räumlichkeiten.
- Um eine Kontaminierung von Lebensmitteln zu vermeiden, beachten Sie die folgenden Hinweise:
 - Öffnen Sie die Tür nicht über längere Zeit hinweg;
 - Reinigen Sie regelmäßig Oberflächen, die mit Lebensmitteln in Kontakt kommen können, und zugängliche Ablaufsysteme;
 - Lagern Sie rohes Fleisch und Fisch in geeigneten Behältern im Kühlschrank, so dass sie nicht mit anderen Lebensmitteln in Berührung kommen oder auf diese tropfen.
- **WARNUNG:** Achten Sie darauf, dass die Belüftungsöffnungen im Schrank, um das Gerät und in der Einbaunische nicht blockiert sind.
- **WARNUNG:** Versuchen Sie nicht, den Abtauvorgang durch andere als vom Hersteller empfohlene mechanische oder sonstige Hilfsmittel zu beschleunigen.
- **WARNUNG:** Beschädigen Sie nicht den Kältekreislauf.
- **WARNUNG:** Betreiben Sie in den Lebensmittelfächern des Geräts keine anderen als die vom Hersteller empfohlenen Elektrogeräte.
- Reinigen Sie das Gerät nicht mit Wasserspray oder Dampf.
- Reinigen Sie das Gerät mit einem weichen, feuchten Tuch. Nur neutrale Reinigungsmittel verwenden. Benutzen Sie keine Scheuermittel, scheuernde Reinigungsschwämmchen, Lösungsmittel oder Metallgegenstände.
- Wenn das Gerät längere Zeit leer steht, schalten Sie es aus, tauen Sie es ab, reinigen und trocknen Sie es und lassen Sie die Tür offen, um Schimmelbildung im Gerät zu vermeiden.
- Bewahren Sie in dem Gerät keine explosiven Substanzen, wie Spraydosen mit entzündlichen Treibgasen auf.

- Wenn das Netzkabel beschädigt ist, muss es vom Hersteller, seinem autorisierten Kundenservice oder einer gleichermaßen qualifizierten Person ausgetauscht werden, um Gefahrenquellen zu vermeiden.

2. SICHERHEITSANWEISUNGEN

2.1 Montage



WARNUNG!

Die Montage des Geräts darf nur von einer qualifizierten Fachkraft durchgeführt werden.

- Entfernen Sie das gesamte Verpackungsmaterial.
- Montieren Sie ein beschädigtes Gerät nicht und benutzen Sie es nicht.
- Halten Sie sich an die mitgelieferte Montageanleitung.
- Seien Sie beim Umsetzen des Gerätes vorsichtig, da es sehr schwer ist. Tragen Sie stets Sicherheitshandschuhe und festes Schuhwerk.
- Stellen Sie sicher, dass die Luft um das Gerät zirkulieren kann.
- Warten Sie nach der Montage oder dem Wechsel des Türanschlags mindestens 4 Stunden, bevor Sie das Gerät an die Stromversorgung anschließen. Dies ist erforderlich, damit das Öl in den Kompressor zurückfließen kann.
- Ziehen Sie den Stecker aus der Steckdose, bevor Sie am Gerät arbeiten (z.B. Wechsel des Türanschlags).
- Stellen Sie das Gerät nicht in der Nähe von Heizkörpern, Herden, Backöfen oder Kochfeldern auf.
- Setzen Sie das Gerät nicht dem Regen aus.
- Stellen Sie das Gerät nicht dort auf, wo es direktem Sonnenlicht ausgesetzt sein könnte.
- Stellen Sie dieses Gerät nicht in Bereichen auf, die zu feucht oder kalt sind.
- Wenn Sie das Gerät verschieben möchten, heben Sie es bitte an der

Vorderkante an, um den Fußboden nicht zu verkratzen.

2.2 Elektrischer Anschluss



WARNUNG!

Brand- und Stromschlaggefahr.



WARNUNG!

Achten Sie bei der Montage des Geräts darauf, dass das Netzkabel nicht eingeklemmt oder beschädigt wird.



WARNUNG!

Verwenden Sie keine Mehrfachsteckdosen oder Verlängerungskabel.

- Das Gerät muss geerdet sein.
- Stellen Sie sicher, dass die Daten auf dem Typenschild mit den elektrischen Nennwerten der Netzspannung übereinstimmen.
- Schließen Sie das Gerät nur an eine ordnungsgemäß installierte Schutzkontaktsteckdose an.
- Achten Sie darauf, elektrische Bauteile (wie Netzstecker, Netzkabel und Kompressor) nicht zu beschädigen. Wenden Sie sich an den autorisierten Kundendienst oder einen Elektriker, um die elektrischen Bauteile auszutauschen.
- Das Netzkabel muss unterhalb des Netzsteckers verlegt werden.
- Stecken Sie den Netzstecker erst nach Abschluss der Montage in die Steckdose. Stellen Sie sicher, dass der Netzstecker nach der Montage noch zugänglich ist.
- Ziehen Sie nicht am Netzkabel, wenn Sie das Gerät von der Stromversorgung trennen möchten. Ziehen Sie stets am Netzstecker.

2.3 Gebrauch



WARNUNG!

Es besteht Verletzungs-, Verbrennungs-, Stromschlag- oder Brandgefahr.



Das Gerät enthält Isobutan (R600a), ein brennbares Erdgas mit einem hohen Grad an Umweltverträglichkeit. Achten Sie darauf, den Kältekreislauf, der Isobutan enthält, nicht zu beschädigen.

- Nehmen Sie keine technischen Änderungen am Gerät vor.
- Stellen Sie keine elektrischen Geräte (z. B. Eisbereiter) in das Gerät, wenn solche Geräte nicht ausdrücklich vom Hersteller für diesen Zweck zugelassen sind.
- Wird der Kältekreislauf beschädigt, stellen Sie bitte sicher, dass es keine Flammen und Zündquellen im Raum gibt. Belüften Sie den Raum.
- Stellen Sie keine heißen Gegenstände auf die Kunststoffteile des Geräts.
- Legen Sie Erfrischungsgetränke nicht in das Gefrierfach. Dadurch entsteht Druck auf den Getränkebehälter.
- Bewahren Sie keine entzündbaren Gase und Flüssigkeiten im Gerät auf.
- Laden Sie keine entflammaren Produkte oder Gegenstände, die mit entflammaren Produkten benetzt sind, in das Gerät und stellen Sie solche nicht in die Nähe oder auf das Gerät.
- Berühren Sie nicht den Kompressor oder den Kondensator. Sie sind heiß.
- Nehmen Sie keine Gegenstände aus dem Gefrierfach bzw. berühren Sie diese nicht, falls Ihre Hände nass oder feucht sind.
- Frieren Sie aufgetaute Lebensmittel nicht wieder ein.
- Befolgen Sie die Hinweise auf der Verpackung zur Aufbewahrung tiefgekühlter Lebensmittel.
- Wickeln Sie die Lebensmittel in Lebensmittelkontaktmaterial ein, bevor Sie sie in das Gefrierfach legen.

2.4 Innenbeleuchtung



WARNUNG!

Stromschlaggefahr.

- Bezüglich der Lampe(n) in diesem Gerät und separat verkaufter Ersatzlampen: Diese Lampen müssen extremen physikalischen Bedingungen in Haushaltsgeräten standhalten, wie z.B. Temperatur, Vibration, Feuchtigkeit, oder sollen Informationen über den Betriebszustand des Gerätes anzeigen. Sie sind nicht für den Einsatz in anderen Geräten vorgesehen und nicht für die Raumbelichtung geeignet.

2.5 Reinigung und Pflege



WARNUNG!

Verletzungsgefahr sowie Risiko von Schäden am Gerät.

- Schalten Sie das Gerät immer aus und ziehen Sie den Netzstecker aus der Steckdose, bevor Reinigungsarbeiten durchgeführt werden.
- Der Kältekreis des Gerätes enthält Kohlenwasserstoffe. Das Gerät muss von einer qualifizierten Fachkraft gewartet und nachgefüllt werden.
- Prüfen Sie regelmäßig den Wasserabfluss des Geräts und reinigen Sie ihn gegebenenfalls. Bei verstopftem Wasserabfluss sammelt sich das Abtauwasser am Boden des Geräts an.

2.6 Wartung

- Zur Reparatur des Geräts wenden Sie sich an den autorisierten Kundendienst. Dabei dürfen ausschließlich Originalersatzteile verwendet werden.
- Bitte beachten Sie, dass eigene Reparaturen oder Reparaturen, die nicht von Fachkräften durchgeführt werden, die Sicherheit des Geräts beeinträchtigen und die Garantie ungültig machen können.
- Folgende Ersatzteile sind innerhalb von 7 Jahren nach Produkteinstellung

- des Modells erhältlich: Thermostate, Temperatursensoren, Leiterplatten, Lichtquellen, Türgriffe, Türscharniere, Ablagen und Körbe. Bitte beachten Sie, dass einige dieser Ersatzteile nur an Reparaturbetriebe geliefert werden können und nicht alle Ersatzteile für alle Modelle relevant sind.
- Türdichtungen sind innerhalb von 10 Jahren nach Produkteinstellung des Modells erhältlich.
 - Schneiden Sie das Netzkabel ab, und entsorgen Sie es.
 - Entfernen Sie die Tür, um zu verhindern, dass sich Kinder oder Haustiere in dem Gerät einschließen.
 - Der Kältekreislauf und die Isolierungsmaterialien dieses Gerätes sind ozonfreundlich.
 - Die Isolierung enthält entzündliches Gas. Für Informationen zur korrekten Entsorgung des Gerätes wenden Sie sich an Ihre kommunale Behörde.
 - Achten Sie darauf, dass die Kühleinheit in der Nähe des Wärmetauschers nicht beschädigt wird.

2.7 Entsorgung



WARNUNG!
Verletzungs- und
Erstickungsgefahr.

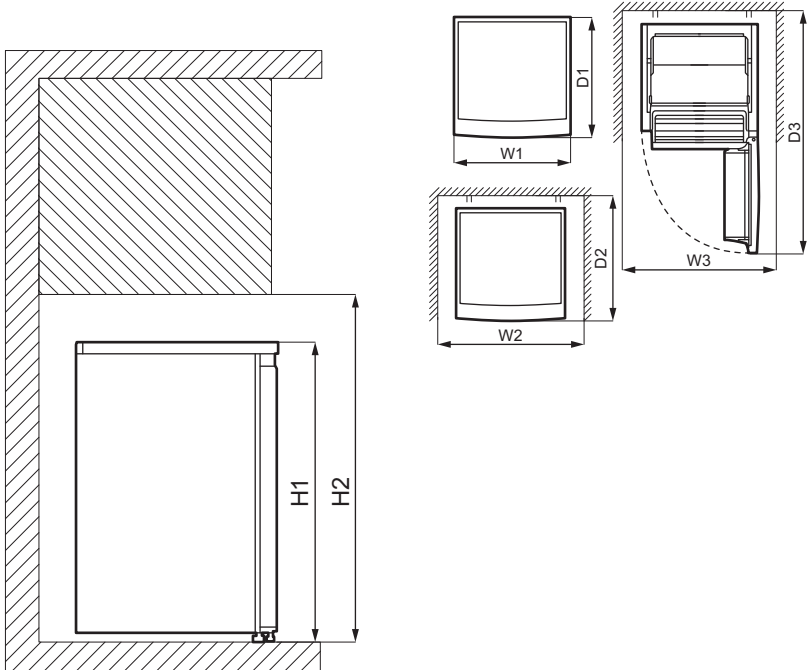
- Trennen Sie das Gerät von der Stromversorgung.

3. MONTAGE



WARNUNG!
Siehe Kapitel
Sicherheitshinweise.

3.1 Abmessungen



Gesamtabmessungen ¹⁾		
H1	mm	845
W1	mm	560
D1	mm	575

¹⁾ Höhe, Breite und Tiefe des Geräts ohne Griff und Füße

Platzbedarf im Betrieb ¹⁾		
H2	mm	945
W2	mm	760
D2	mm	650

¹⁾ Höhe, Breite und Tiefe des Geräts einschließlich Griff und zuzüglich des notwendigen Freiraums für die Zirkulation der Kühlluft

Platzbedarf insgesamt im Betrieb ¹⁾		
H2	mm	945
W3	mm	760
D3	mm	1165

¹⁾ Höhe, Breite und Tiefe des Geräts einschließlich Griff plus des notwendigen Freiraums für die Zirkulation der Kühlluft, zuzüglich des Platzes, der notwendig ist, um eine Türöffnung bis zu dem minimalen Winkel zu ermöglichen, der die Entfernung der Innenausstattung erlaubt

3.2 Aufstellungsort

Dieses Gerät ist nicht für die Verwendung als Einbaugerät vorgesehen.

Im Falle einer anderen als der freistehenden Installation und unter Einhaltung des Platzbedarfs funktioniert das Gerät korrekt, aber der Energieverbrauch kann leicht ansteigen.

Um die beste Funktionalität des Gerätes zu gewährleisten, sollten Sie das Gerät nicht in der Nähe von Wärmequellen (Backöfen, Heizöfen, Heizkörpern, Herden oder Kochfeldern) oder an einem Ort mit direkter Sonneneinstrahlung installieren. Stellen Sie sicher, dass die Luft frei um die Geräterückseite zirkulieren kann.

Dieses Gerät sollte in einem trockenen, gut belüfteten Innenbereich aufgestellt werden.

Um einen einwandfreien Betrieb sicherzustellen, muss der Mindestabstand zur Oberseite des Gehäuses eingehalten werden, wenn das Gerät unter einem Hängeschrank aufgestellt wird. Idealerweise sollte das Gerät jedoch nicht unter überhängenden Wandeinheiten positioniert werden. Das Gerät muss mithilfe eines Fußes oder mehrerer verstellbarer Füße am Sockel des Gehäuses ausgerichtet werden.



VORSICHT! Wenn Sie das Gerät gegen eine Wand stellen, verwenden Sie die mitgelieferten hinteren Abstandhalter für die Rückseite, um den Mindestabstand, der in der Montageanleitung angegeben ist, einzuhalten.



VORSICHT! Wenn Sie das Gerät neben einer Wand aufstellen, halten Sie den in der Montageanleitung angegebenen Mindestabstand zwischen der Wand und Geräteseite mit den Scharnieren ein, damit sich die Tür weit genug öffnen lässt, um die Innenausstattung herauszunehmen (z. B. für die Reinigung).

Dieses Gerät ist für den Einsatz bei einer Umgebungstemperatur von 10°C bis 43°C vorgesehen.



Der ordnungsgemäße Betrieb des Geräts wird nur innerhalb des angegebenen Temperaturbereichs gewährleistet.



Wenn Sie Zweifel bezüglich der Installation des Geräts haben, wenden Sie sich bitte an den Verkäufer, unseren Kundenservice oder an den nächstgelegenen autorisierten Kundenservice.



Es muss möglich sein, das Gerät vom Netz zu trennen. Daher muss der Stecker nach der Installation zugänglich bleiben.

3.3 Elektroanschluss

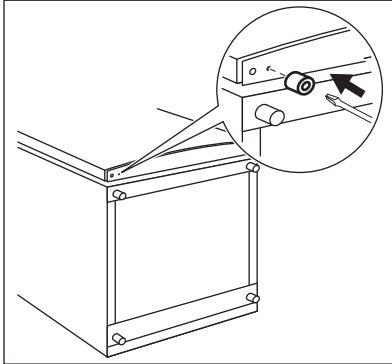
- Kontrollieren Sie vor dem Einschalten des Geräts, ob die Netzspannung und -frequenz Ihres Hausanschlusses mit den auf dem Typenschild angegebenen Anschlusswerten übereinstimmen.
- Das Gerät muss geerdet sein. Zu diesem Zweck ist der Netzstecker mit einem Schutzkontakt ausgestattet. Falls die Steckdose Ihres Hausanschlusses nicht geerdet sein sollte, lassen Sie das Gerät gemäß den geltenden Vorschriften von einem qualifizierten Elektriker erden.
- Der Hersteller übernimmt keinerlei Haftung bei Missachtung der vorstehenden Sicherheitshinweise.
- Das Gerät entspricht den EC-Richtlinien.

3.4 Gummiunterlage

Es besteht keine Notwendigkeit, dieses in einem Beutel mitgelieferte Zubehör für den normalen Gebrauch an Ihrem Gerät anzubringen.

Es besteht jedoch die Gefahr, dass das Gerät instabil wird, wenn alle Lebensmittel nur auf den Türablagen

platziert werden. Bringen Sie in diesem Fall die Gummiunterlage an:



1. Kippen Sie das Gerät vorsichtig auf ein weiches Schaumstoffteil oder ähnliches Material, um Schäden an der Rückseite des Geräts und am Boden zu vermeiden.
2. Suchen Sie ein Loch in der unteren Bodenabdeckung und stecken Sie eine Schraube in die Gummiunterlage.
3. Schrauben Sie sie an der Bodenabdeckung mit einem Kreuzschlitzschraubendreher fest.

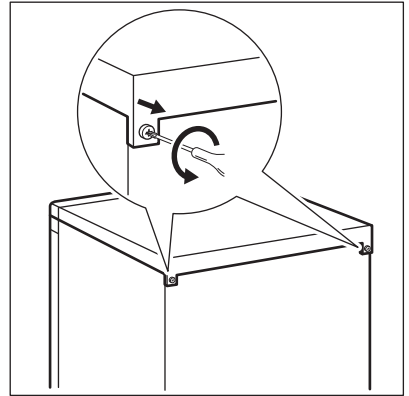
3.5 Wechseln des Türanschlags



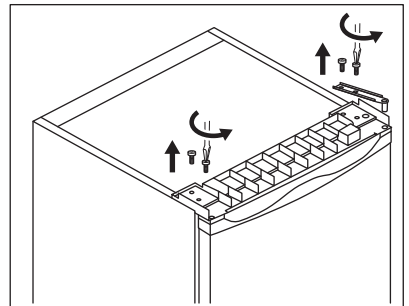
WARNUNG!

Vor der Durchführung von Arbeiten am Gerät ist stets der Netzstecker aus der Steckdose zu ziehen.

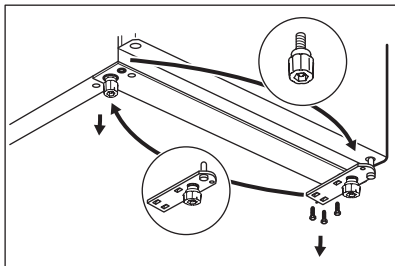
1. Vergewissern Sie sich, dass das Gerät aufrecht steht.
2. Öffnen Sie die Tür und entfernen Sie die Türausstattung. Siehe Kapitel „Täglicher Gebrauch“. Schließen Sie die Tür.
3. Lösen Sie die hinteren Schrauben der oberen Abdeckung.



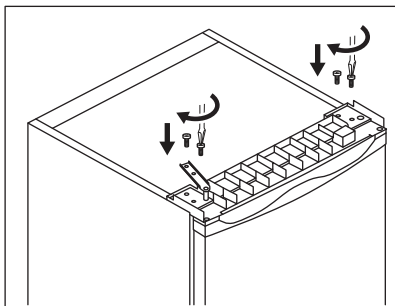
4. Heben Sie die obere Abdeckung ab und legen Sie sie auf eine weiche Oberfläche.
5. Lösen Sie die 4 Schrauben.



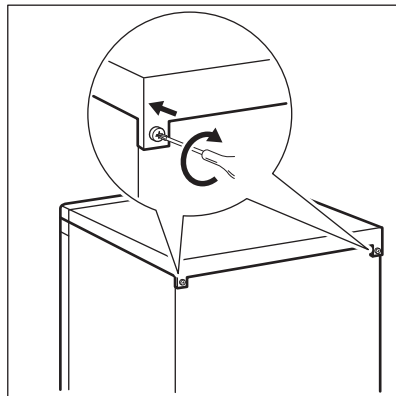
6. Heben Sie das obere Scharnier ab und bewahren Sie es zusammen mit den Schrauben an einem sicheren Ort auf.
7. Heben Sie die Tür ab und legen Sie sie auf eine weiche Oberfläche.
8. Kippen Sie das Gerät vorsichtig auf ein weiches Schaumstoffteil oder ähnliches Material, um Schäden an der Rückseite des Geräts und am Boden zu vermeiden.
9. Lösen Sie die Schrauben des unteren Türscharniers und die Schraubfüße.
10. Setzen Sie den Stift in das gegenüberliegende Loch des Scharniers.



11. Schrauben Sie das untere Scharnier an der anderen Seite des Geräts an.
12. Montieren Sie die Gummierunterlage an der Seite ohne Scharnier.
13. Setzen Sie die Tür auf das untere Scharnier und achten Sie darauf, dass der Scharnierstift in das untere Loch der Tür ragt.
14. Montieren Sie das obere Scharnier an der gegenüberliegenden Seite des Geräts. Setzen Sie den Stift des oberen Scharniers in das obere Loch der Tür ein. Ziehen Sie die Schrauben fest.



15. Schrauben Sie die restlichen 2 Schrauben an der Oberseite des Gerät auf der Seite ohne Scharniere fest.
16. Legen Sie die obere Abdeckung auf das Gerät und ziehen Sie die hinteren Schrauben fest.



Bringen Sie die Türausstattung an.

Warten Sie mindestens 4 Stunden, bevor Sie das Gerät an das Stromnetz anschließen.

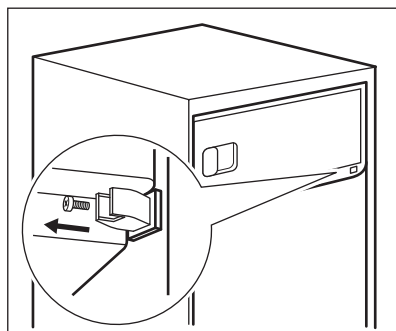
3.6 Wechseln des Anschlags der Gefrierfachtür



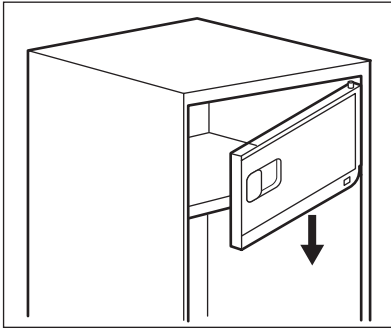
WARNUNG!

Vor der Durchführung von Arbeiten am Gerät ist stets der Netzstecker aus der Steckdose zu ziehen.

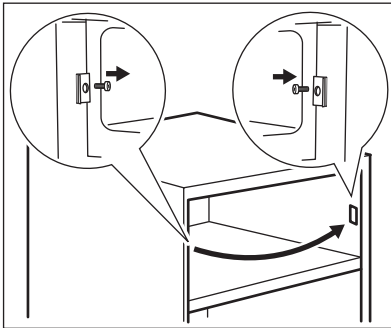
1. Schließen Sie die Gefrierfachtür. Lösen Sie die Schraube des Installationsknopfes. Bewahren Sie den Installationsknopf und die Schraube an einem sicheren Ort auf.



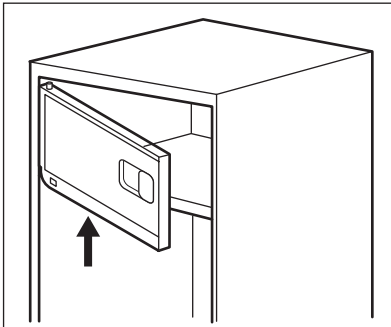
2. Öffnen Sie die Gefrierfachtür leicht. Ziehen Sie die Gefrierfachtür und die Kappe vom oberen Lager der Tür nach unten.



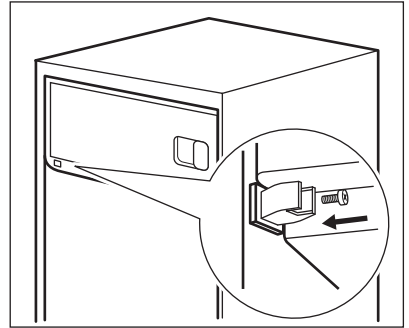
3. Entfernen Sie die Montageschnalle und bringen Sie sie an der gegenüberliegenden Seite an.



4. Drehen Sie die Gefrierfachtür um 180 Grad, Bringen Sie die Kappe auf dem oberen Türlager an.



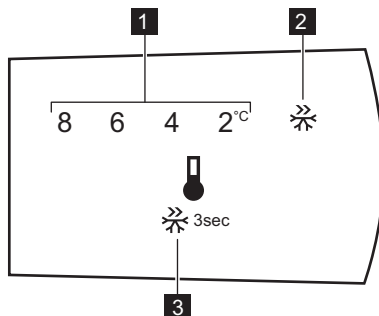
5. Bringen Sie die Gefrierfachtür an und schließen Sie sie.
6. Bringen Sie den Installationsknopf am unteren Türlager an. Drücken Sie auf den Installationsknopf, bis zwischen ihm und dem Innenraum kein Spalt mehr vorhanden ist, und ziehen Sie dann die Schraube an.



7. Nehmen Sie die Lochabdeckungen aus dem Beutel und setzen Sie sie in die Löcher des Türscharniers.

4. BETRIEB

4.1 Bedienfeld



1. Temperaturanzeige
2. Anzeige Super Freeze

3. Einstellknopf

4.2 Einschalten

Stecken Sie den Stecker in die Wandsteckdose.

4.3 Ausschalten

Schalten Sie das Gerät durch Ziehen des Netzsteckers aus der Steckdose aus.

4.4 Temperaturregelung



Die Standardtemperatur für den Kühlraum beträgt 4 °C.

Drücken Sie den Einstellknopf wiederholt, bis Sie die gewünschte Temperatur erreichen.

Berücksichtigen Sie für eine exakte Einstellung, dass die Temperatur im Inneren des Geräts von folgenden Faktoren abhängt:

- Raumtemperatur,
- Häufigkeit der Türöffnung,
- Menge der gelagerten Lebensmittel,
- Gerätestandort.

Eine mittlere Einstellung ist im Allgemeinen am besten geeignet.

4.5 Funktion Super Freeze

Die Funktion Super Freeze dient dazu das Gefrierfach auf das Vorgefrieren und

anschließende Schnellgefrieren der Lebensmittel vorzubereiten. Die Funktion ist eine Schnellgefrierfunktion, die die Tiefkühlung neu hinzukommender Lebensmittel beschleunigt und gleichzeitig die bereits tiefgekühlten Lebensmittel vor unerwünschter Erwärmung schützt.



Um frische Lebensmittel einzufrieren, schalten Sie die Super Freeze-Funktion mindestens 24 Stunden, bevor Sie die einzufrierenden Lebensmittel in das Gefrierfach hinein legen, ein.

Halten Sie zum Einschalten der Super Freeze-Funktion die Einstelltaste 3 Sekunden gedrückt. Die Anzeige Super Freeze blinkt.

Diese Funktion endet automatisch nach 52 Stunden.

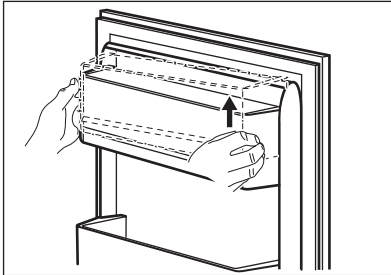
Sie können die Super Freeze-Funktion vor Ihrer automatischen Abschaltung ausschalten. Halten Sie dazu die Einstelltaste 3 Sekunden gedrückt. Die Anzeige Super Freeze erlischt.

5. TÄGLICHER GEBRAUCH

5.1 Aus- und Einbauen der Türablage

Entfernen der Türablage:

1. Halten Sie die linke Seite der Ablage fest.
2. Heben Sie die rechte Seite der Ablage an, bis sie sich aus der Halterung löst.



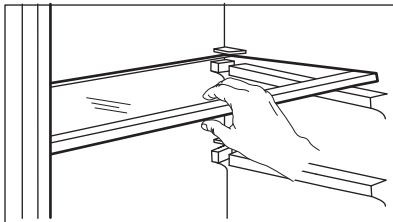
3. Heben Sie die linke Seite der Ablage an und entfernen Sie sie.

Einsetzen der Ablage:

1. Setzen Sie die Ablage flach auf die Tür.
2. Drücken Sie beiden Seiten der Ablage gleichzeitig nach unten, so dass sie in beiden Halterungen einrastet.

5.2 Bewegliche Ablagen

Die Wände des Kühlraums sind mit einer Reihe von Führungsschienen ausgestattet, die verschiedene Möglichkeiten für das Einsetzen der Ablagen bieten.



Die Glasablage über der Gemüseschublade sollte jedoch nicht verstellt werden, um eine korrekte Luftzirkulation zu gewährleisten.

5.3 Obst- / Gemüseschublade

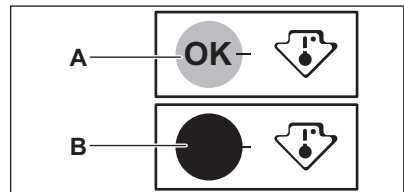
Im unteren Teil des Geräts befindet sich eine spezielle Schublade, die sich zur Aufbewahrung von Obst und Gemüse eignet.

5.4 Temperaturanzeige

Um eine korrekte Lagerung der Lebensmittel zu gewährleisten, verfügt dieser Kühlschrank über eine Temperaturanzeige. Das Symbol an der Seitenwand des Geräts zeigt den kältesten Bereich im Kühlraum an.

Wenn OK angezeigt wird (A), lagern Sie die frischen Lebensmittel im Bereich, der durch das Symbol angezeigt wird. Bei (B) warten Sie mindestens 12 Stunden und prüfen Sie, ob OK (A) angezeigt wird.

Wird nicht OK (B) angezeigt, wählen Sie eine kältere Einstellung.



5.5 Einfrieren frischer Lebensmittel

Das Gefrierfach eignet sich zum Einfrieren von frischen Lebensmitteln und zum Lagern von gefrorenen und tiefgefrorenen Lebensmitteln über einen längeren Zeitraum.

Um frische Lebensmittel einzufrieren, schalten Sie die Super Freeze-Funktion mindestens 24 Stunden, bevor Sie die einzufrierenden Lebensmittel in das Gefrierfach hinein legen, ein.

Lagern Sie frische Lebensmittel gleichmäßig verteilt im Gefrierfach.

Die maximale Menge an Lebensmitteln, die ohne Hinzufügen von anderen frischen Lebensmittel innerhalb von 24 Stunden eingefroren werden kann, ist auf dem Typenschild (einem Schild im Gerät) angegeben.

5.6 Lagern von gefrorenen Lebensmitteln

Lassen Sie das Gerät vor der ersten Inbetriebnahme oder nach einer Zeit, in der das Gerät nicht benutzt wurde, mindestens 3 Stunden lang mit eingeschalteter Funktion Super Freeze laufen, bevor Sie Lebensmittel in das Fach legen.

Lagern Sie die Lebensmittel mit einem Mindestabstand zur Tür von 15 mm.



VORSICHT!

Kam es zum Beispiel durch einen Stromausfall, der länger dauerte als der auf dem Typenschild angegebene Wert (siehe „Lagerzeit bei Störung“) zu einem ungewollten Abtauen, dann müssen die aufgetauten Lebensmittel sehr rasch verbraucht oder sofort gekocht und nach dem Abkühlen erneut eingefroren werden.

5.7 Abtauen

Tiefgefrorene oder gefrorene Lebensmittel können vor der Verwendung je nach der zur Verfügung stehenden Zeit im Kühlschrank oder bei Raumtemperatur aufgetaut werden.

Kleine Teile können sogar direkt aus dem Gefrierschrank gekocht werden. In diesem Fall dauert das Kochen länger.

5.8 Eiswürfelschale

Dieses Gerät ist mit einer oder mehreren Schalen zur Herstellung von Eiswürfeln ausgestattet.



Verwenden Sie keine Metallgegenstände, um die Schalen aus dem Gefrierfach zu entfernen.

1. Füllen Sie die Eiswürfelschalen mit Wasser.
2. Stellen Sie die Schalen in das Gefrierfach.

6. TIPPS UND HINWEISE

6.1 Tipps zum Energiesparen

- Kühlschrank: Die effizienteste Energienutzung wird erreicht, wenn die Schubladen im unteren Teil des Geräts eingesetzt und die Ablagen gleichmäßig angeordnet sind. Die Position der Türablagen wirkt sich nicht auf den Energieverbrauch aus.
- Öffnen Sie die Tür nicht zu häufig, und lassen Sie diese nicht länger offen als notwendig.
- Kühlschrank: Stellen Sie die Temperatur nicht zu hoch ein, um Energie zu sparen, es sei denn, dies

ist wegen der Beschaffenheit des Lebensmittels erforderlich.

- Wenn die Umgebungstemperatur hoch ist, der Temperaturregler auf eine niedrige Temperatur eingestellt und das Gerät voll beladen ist, kann es zu andauerndem Betrieb des Kompressors und damit zu Reif- oder Eisbildung am Verdampfer kommen. Stellen Sie in diesem Fall den Temperaturregler auf eine höhere Temperatur, um das automatische Abtauen zu ermöglichen und Energie zu sparen.


- Sorgen Sie für eine gute Belüftung. Bedecken Sie die Belüftungsgitter oder -öffnungen nicht.

6.2 Hinweise zum Einfrieren

- Schalten Sie die Super Freeze-Funktion mindestens 24 Stunden, bevor Sie die Lebensmittel in das Gefrierfach hinein legen, ein.
- Vor dem Einfrieren verpacken und verschließen Sie frische Lebensmittel in: Aluminiumfolie, Kunststoffolie oder -beutel, luftdichte Behälter mit Deckel.
- Teilen Sie die Lebensmittel in kleine Portionen, um das Einfrieren und Auftauen zu erleichtern.
- Es wird empfohlen, Ihre tiefgekühlten Lebensmittel mit Etiketten und dem Datum zu versehen. So können Sie die Lebensmittel identifizieren und erkennen wann sie verzehrt werden sollten, bevor sie verderben.
- Die Lebensmittel sollten beim Einfrieren frisch sein, um eine gute Qualität zu bewahren. Besonders Obst und Gemüse sollte nach der Ernte eingefroren werden, um alle Nährstoffe zu erhalten.
- Frieren Sie keine Flaschen oder Dosen mit Flüssigkeiten, insbesondere kohlenensäurehaltige Getränke, ein - die Gefäße können beim Einfrieren explodieren.
- Geben Sie keine heißen Lebensmittel in den Gefrierraum. Vergewissern Sie sich, dass sie auf Raumtemperatur abgekühlt sind, bevor Sie sie in das Fach legen.
- Um eine Erwärmung bereits eingefrorener Lebensmittel zu verhindern, legen Sie die frischen, nicht gefrorenen Lebensmittel nicht direkt neben sie. Legen Sie die Lebensmittel mit Raumtemperatur in die Gefrierfächer, die keine gefrorenen Lebensmittel enthalten.
- Essen Sie keine Eiswürfel, Wassereis oder Eis am Stiel, wenn sie direkt aus dem Gefriergerät genommen wurden. Gefahr von Erfrierungen.
- Frieren Sie aufgetaute Lebensmittel nicht wieder ein. Wenn Lebensmittel

aufgetaut wurden, kochen Sie sie, lassen Sie sie abkühlen und frieren Sie sie dann ein.

6.3 Hinweise zur Lagerung von Tiefkühlgerichten

- Das Gefrierfach ist mit  gekennzeichnet.
- Eine höhere Temperatureinstellung im Gerät kann die Haltbarkeit verkürzen.
- Der gesamte Gefrierraum ist für die Lagerung von Tiefkühlprodukten geeignet.
- Lassen Sie ausreichend Platz um die Lebensmittel herum, damit die Luft frei zirkulieren kann.
- Die Haltbarkeit von Lebensmitteln ist auf dem Etikett der Lebensmittelverpackung angegeben.
- Es ist wichtig, die Lebensmittel so zu verpacken, dass kein Wasser, Feuchtigkeit oder Kondenswasser ins Innere gelangt.

6.4 Einkaufstipps

Nach dem Lebensmitteleinkauf:

- Achten Sie darauf, dass die Verpackung nicht beschädigt ist - die Lebensmittel könnten verdorben sein. Wenn die Verpackung aufgequollen oder nass ist, wurde das Lebensmittel möglicherweise nicht unter den optimalen Bedingungen gelagert und das Auftauen hat eventuell bereits begonnen.
- Um den Auftauprozess zu minimieren, kaufen Sie Tiefkühlware am Ende Ihres Einkaufs und transportieren Sie diese in einer Isoliertasche.
- Legen Sie die tiefgefrorenen Lebensmittel sofort nach der Rückkehr aus dem Laden in das Gefriergerät.
- Wenn Lebensmittel auch nur teilweise aufgetaut sind, dürfen sie nicht wieder eingefroren werden. Verzehren Sie sie schnell wie möglich.
- Beachten Sie das Haltbarkeitsdatum und die Lagerinformationen auf der Verpackung.

6.5 Lagerdauer im Gefrierfach

Lebensmittel	Lagerdauer (Monate)
Brot	3
Früchte (außer Zitrusfrüchten)	6 - 12
Gemüse	8 - 10
Reste ohne Fleisch	1 - 2
Molkereiprodukte:	
Butter	6 - 9
Weichkäse (z. B. Mozzarella)	3 - 4
Hartkäse (z. B. Parmesan, Cheddar)	6
Meeresfrüchte:	
Fetthaltiger Fisch (z. B. Lachs, Makrele)	2 - 3
Fettarmer Fisch (z. B. Dorsch, Flunder)	4 - 6
Shrimps	12
Muscheln und Miesmuscheln ohne Schale	3 - 4
Gekochter Fisch	1 - 2
Fleisch:	
Geflügel	9 - 12
Rindfleisch	6 - 12
Schweinefleisch	4 - 6
Lamm	6 - 9
Wurst	1 - 2
Schinken	1 - 2
Reste mit Fleisch	2 - 3


6.6 Hinweise für die Kühlung frischer Lebensmittel

- Eine gute Temperatureinstellung, die die Konservierung von frischen Lebensmitteln sicherstellt, ist eine Temperatur von weniger oder gleich +4 °C.
Eine höhere Temperatureinstellung im Gerät kann die Haltbarkeit der Lebensmittel verkürzen.
- Decken Sie die Lebensmittel mit Verpackungsmaterial ab, um ihre Frische und ihr Aroma zu bewahren.
- Verwenden Sie immer geschlossene Behälter für Flüssigkeiten und Lebensmittel, um Düfte oder Gerüche im Fach zu vermeiden.
- Um eine Kreuzkontamination zwischen gekochten und rohen Lebensmitteln zu vermeiden, decken

Sie die gekochten Lebensmittel ab und trennen Sie sie von den rohen.

- Es wird empfohlen Lebensmittel im Kühlschrank aufzutauen.
- Stellen Sie keine warmen Lebensmittel in das Gerät. Vergewissern Sie sich, dass sie auf Raumtemperatur abgekühlt sind, bevor Sie sie einlegen.
- Um eine Verschwendung von Lebensmitteln zu vermeiden, sollten die neuen Lebensmittel immer hinter die alten gelegt werden.

6.7 Hinweise für die Kühlung von Lebensmitteln

- Das Fach für frische Lebensmittel ist (auf dem Typenschild) gekennzeichnet mit .

- Fleisch (alle Sorten): Wickeln Sie Fleisch in geeignetes Material und legen Sie dieses auf die Glasablage über der Gemüseschublade. Lagern Sie Fleisch höchstens 1 - 2 Tage.
- Obst und Gemüse: Gründlich reinigen (Erde entfernen) und in die spezielle Schublade (Obst- und Gemüseschublade) legen.
- Es wird empfohlen, exotische Früchte wie Bananen, Mangos, Papayas usw. nicht im Kühlschrank aufzubewahren.
- Gemüse wie Tomaten, Kartoffeln, Zwiebeln und Knoblauch sollten nicht im Kühlschrank aufbewahrt werden.
- Butter und Käse: Diese sollten stets in luftdichten Behältern verpackt sein oder in Aluminiumfolie bzw. in Polyäthylenbeutel eingepackt werden, um so wenig Luft wie möglich in der Verpackung zu haben.
- Flaschen: Sie sollten mit Deckel in der Flaschenablage in der Tür oder im Flaschenhalter (falls vorhanden) aufbewahrt werden.
- Achten Sie auf das Haltbarkeitsdatum der Lebensmittel, damit Sie wissen, wie lange sie gelagert werden können.

7. REINIGUNG UND PFLEGE



WARNUNG!
Siehe Kapitel
Sicherheitshinweise.

7.1 Reinigung des Innenraums

Vor der ersten Verwendung des Geräts sollten der Innenraum und das gesamte interne Zubehör mit lauwarmem Wasser und etwas neutraler Seife gewaschen werden, um den typischen Geruch eines brandneuen Produkts zu entfernen, und anschließend gründlich getrocknet werden.



VORSICHT!
Verwenden Sie keine chemischen Reinigungsmittel, Scheuermittel, chlor- oder ölhaltige Reinigungsmittel, da diese die Oberfläche beschädigen.



VORSICHT!
Das Zubehör und die Teile des Geräts sind nicht zur Reinigung im Geschirrspüler geeignet.

7.2 Regelmäßige Reinigung

Das gesamte Gerät muss regelmäßig gereinigt werden:

1. Reinigen Sie das Innere und die Zubehörteile mit lauwarmem Wasser und etwas Neutralseife.

2. Prüfen und säubern Sie die Türdichtungen in regelmäßigen Abständen, um zu gewährleisten, dass diese sauber und frei von Fremdkörpern sind.
3. Spülen und trocknen Sie diese sorgfältig ab.

7.3 Abtauen des Geräts



VORSICHT!
Verwenden Sie niemals scharfe Metallwerkzeuge zum Abkratzen von Reif aus dem Verdampfer, da Sie diese beschädigen könnten. Verwenden Sie kein anderes mechanisches Gerät oder jegliche künstliche Hilfsmittel, um den Abtauprozess zu beschleunigen, als was der Hersteller vorgeschlagen hat.



Stellen Sie ungefähr 12 Stunden vor dem Abtauen eine niedrigere Temperatur ein, um ausreichend Kältereserve für die Betriebsunterbrechung aufzubauen.



Der Kühlraum taut automatisch ab.

Tauen Sie den Gefrierschrank ab, wenn die Reifschicht eine Stärke von etwa 3 bis 5 mm erreicht hat

Abtauen des Gefrierraums:

1. Schalten Sie das Gerät aus oder ziehen Sie den Netzstecker aus der Steckdose.
2. Nehmen Sie das gesamte Gefriergut heraus, verpacken Sie es in mehrere Schichten Zeitungspapier und lagern Sie es an einem kühlen Ort.



VORSICHT!

Ein Temperaturanstieg der gefrorenen Lebensmittelpakete während des Abtauens kann deren Haltbarkeitsdauer verkürzen. Berühren Sie gefrorene Lebensmittel nicht mit nassen Händen. Die Hände können an den Lebensmitteln festfrieren.

3. Entnehmen Sie die Eisschale.
4. Lassen Sie die Tür offen. Schützen Sie den Boden vor dem Abtauwasser, z. B. mit einem Tuch oder einem flachen Behälter.
5. Stellen Sie einen Topf mit warmem Wasser in das Gefrierfach, um den

Abtauprozess zu beschleunigen. Entfernen Sie bereits während des Abtauprozesses vorsichtig Eisstücke, die sich lösen lassen.

6. Wenn der Gefrierraum vollständig abgetaut ist, wischen Sie das Innere sorgfältig trocken.
7. Schalten Sie das Gerät ein und schließen Sie die Tür.
8. Drehen Sie den Temperaturregler auf eine höhere Einstellung, um die maximal mögliche Kühlung zu erreichen, und lassen Sie das Gerät drei Stunden mit dieser Einstellung laufen.

Legen Sie das Gefriergut erst nach dieser Zeit wieder in das Gefrierfach.

7.4 Stillstandszeiten

Bei längerem Stillstand des Geräts müssen Sie folgende Vorkehrungen treffen:

1. Trennen Sie das Gerät von der Spannungsversorgung.
2. Entnehmen Sie alle Lebensmittel.
3. Tauen Sie das Gerät ab.
4. Reinigen Sie das Gerät und alle Zubehörteile.
5. Lassen Sie die Türen offen, um das Entstehen unangenehmer Gerüche zu vermeiden.

8. FEHLERSUCHE



WARNUNG!

Siehe Kapitel Sicherheitshinweise.

8.1 Was tun, wenn ...

Problem	Mögliche Ursache	Lösung
Das Gerät funktioniert nicht.	Das Gerät ist ausgeschaltet.	Schalten Sie das Gerät ein.
	Der Netzstecker ist nicht richtig in die Netzsteckdose eingesteckt.	Stecken Sie den Netzstecker richtig in die Netzsteckdose.

Problem	Mögliche Ursache	Lösung
	Die Netzsteckdose hat keine Netzspannung.	Schließen Sie ein anderes Elektrogerät an der Netzsteckdose an. Wenden Sie sich an einen qualifizierten Elektriker.
Das Gerät ist laut.	Das Gerät ist nicht ordnungsgemäß abgestützt.	Prüfen Sie, ob sich das Gerät in einer stabilen Position befindet.
Der Kompressor arbeitet ständig.	Die Temperatur ist falsch eingestellt.	Siehe Kapitel „Betrieb“.
	Es wurden viele Lebensmittel gleichzeitig hineingelegt.	Warten Sie einige Stunden und prüfen Sie erneut die Temperatur.
	Die Raumtemperatur ist zu hoch.	Siehe Kapitel „Montage“.
	Die Lebensmittel, die im Gerät aufbewahrt werden, waren zu warm.	Lassen Sie die Lebensmittel vor deren Aufbewahrung auf Raumtemperatur abkühlen.
	Die Tür ist nicht richtig geschlossen.	Siehe Abschnitt „Schließen der Tür“.
	Die Funktion Super Freeze ist eingeschaltet.	Siehe Abschnitt „Funktion Super Freeze“.
Der Kompressor schaltet sich nicht sofort ein, nachdem Sie „Super Freeze“ gedrückt oder die Temperatur auf einen anderen Wert eingestellt haben.	Der Kompressor startet nach einer gewissen Zeit.	Das ist normal, es ist kein Fehler aufgetreten.
Die Tür ist falsch ausgerichtet oder beeinträchtigt das Lüftungsgitter.	Das Gerät ist nicht ausgerichtet.	Siehe Montageanleitung.
Die Tür lässt sich nicht leicht öffnen.	Sie haben versucht, die Tür unmittelbar nach dem Schließen erneut zu öffnen.	Warten Sie einige Sekunden zwischen dem Schließen und erneutem Öffnen der Tür.
Die Lampe funktioniert nicht.	Die Lampe ist im Standby-Modus.	Schließen Sie die Tür und öffnen Sie die Tür wieder.
	Die Lampe ist defekt.	Wenden Sie sich an das nächste autorisierte Servicezentrum.
Zu viel Frost und Eis.	Die Tür ist nicht richtig geschlossen.	Siehe Abschnitt „Schließen der Tür“.

Problem	Mögliche Ursache	Lösung
	Die Dichtung ist verzogen oder verschmutzt.	Siehe Abschnitt „Schließen der Tür“.
	Die Lebensmittel sind nicht richtig verpackt.	Verpacken Sie die Lebensmittel besser.
	Die Temperatur ist falsch eingestellt.	Siehe Kapitel „Betrieb“.
	Das Gerät ist voll von Lebensmitteln und auf die niedrigste Temperatur eingestellt.	Stellen Sie eine höhere Temperatur ein. Siehe Kapitel „Betrieb“.
	Die Temperatur im Gerät ist zu niedrig, und die Umgebungstemperatur ist zu hoch.	Stellen Sie eine höhere Temperatur ein. Siehe Kapitel „Betrieb“.
Wasser fließt an der Rückwand des Kühlschranks herunter.	Während des automatischen Abtauprozesses taut das Eis an der Rückwand ab.	Das ist richtig. Trocknen Sie das Wasser mit einem weichen Tuch.
An der Rückwand des Kühlschranks befindet sich zu viel Kondenswasser.	Die Tür wurde zu häufig geöffnet.	Öffnen Sie die Tür nur bei Bedarf.
	Die Tür wurde nicht vollständig geschlossen.	Achten Sie darauf, dass die Tür vollständig geschlossen ist.
	Die aufbewahrten Lebensmittel waren nicht verpackt.	Packen Sie die Lebensmittel richtig ein, bevor Sie diese in das Gerät legen.
Wasser fließt im Innern des Kühlschranks herunter.	Lebensmittel verhindern das Abfließen des Wassers in den Wassersammler.	Achten Sie darauf, dass die Lebensmittel nicht die Rückwand berühren.
	Der Wasserablauf ist verstopft.	Reinigen Sie den Wasserablauf.
Wasser fließt auf den Boden.	Der Tauwasserablauf ist nicht an die Verdampfungsschale über dem Kompressor angeschlossen.	Bringen Sie den Tauwasserablauf an der Verdampfungsschale an.

Problem	Mögliche Ursache	Lösung
Die Temperatur kann nicht eingestellt werden.	Die Funktion Super Freeze ist eingeschaltet.	Schalten Sie die Funktion Super Freeze manuell aus oder warten Sie mit dem Einstellen der Temperatur, bis die Funktion automatisch ausgeschaltet wird. Siehe Abschnitt „Funktion Super Freeze“.
Die Temperatur im Gerät ist zu niedrig/zu hoch.	Die Temperatur ist nicht richtig eingestellt.	Stellen Sie eine höhere/niedrigere Temperatur ein.
	Die Tür ist nicht richtig geschlossen.	Siehe Abschnitt „Schließen der Tür“.
	Die Temperatur der Lebensmittel ist zu hoch.	Lassen Sie die Lebensmittel auf Raumtemperatur abkühlen, bevor Sie diese in das Kühlgerät legen.
	Viele Lebensmittel werden gleichzeitig in das Kühlgerät gelegt.	Legen Sie weniger Lebensmittel gleichzeitig in das Kühlgerät.
	Die Frostschrift ist größer als 4 - 5 mm.	Tauen Sie das Gerät ab.
	Die Tür wurde zu oft geöffnet.	Öffnen Sie die Tür nur bei Bedarf.
	Die Funktion Super Freeze ist eingeschaltet.	Siehe Abschnitt „Funktion Super Freeze“.



Wenn die Ratschläge nicht zum gewünschten Ergebnis führen, wenden Sie sich an das nächste autorisierte Servicezentrum.

8.2 Austauschen der Lampe

Das Gerät ist mit einer langlebigen LED-Innenbeleuchtung ausgestattet.

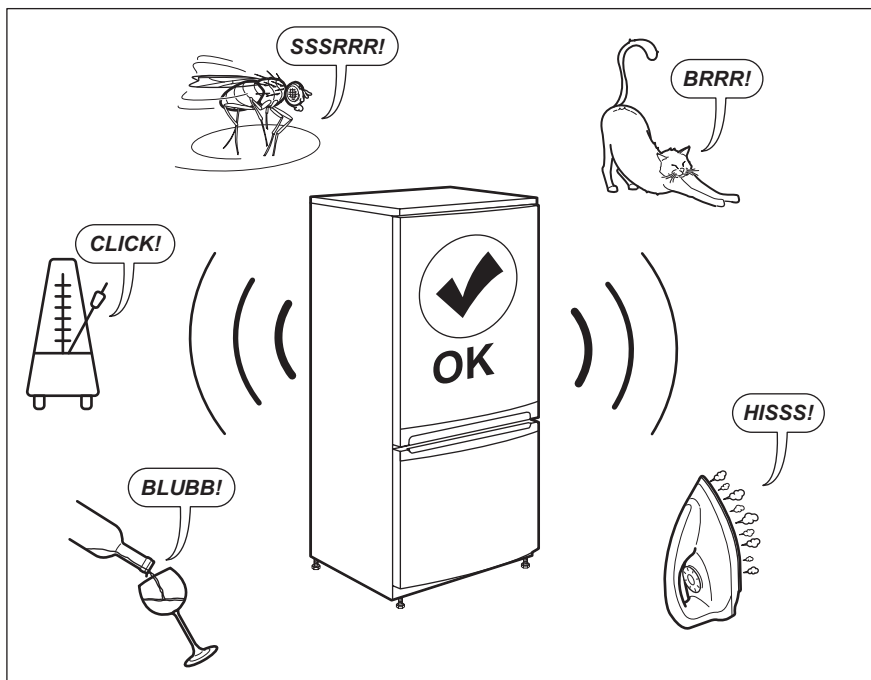
Die Beleuchtung darf nur von einer Fachkraft ausgetauscht werden. Wenden

Sie sich an Ihren autorisierten Kundendienst.

8.3 Schließen der Tür

1. Reinigen Sie die Türdichtungen.
2. Stellen Sie die Tür nach Bedarf ein. Siehe Kapitel „Montage“.
3. Ersetzen Sie die defekten Türdichtungen, falls erforderlich. Wenden Sie sich an einen autorisierten Kundendienst.

9. GERÄUSCHE



10. TECHNISCHE DATEN

Die technischen Daten befinden sich auf dem Typenschild innen im Gerät sowie auf der Energieplakette.

Der QR-Code auf der Energieplakette des Geräts bietet einen Web-Link zu Informationen über die Geräteleistung in der EU EPREL-Datenbank. Bewahren Sie daher die Energieplakette als Referenz zusammen mit dieser Bedienungsanleitung und allen anderen Unterlagen, die mit dem Gerät geliefert wurden, auf.

Es ist auch möglich, die gleichen Informationen in EPREL zu finden, indem Sie den Link <https://eprel.ec.europa.eu> sowie den Modellnamen und die Produktnummer, die Sie auf dem Typenschild des Geräts finden, verwenden.


Beachten Sie den Link www.theenergylabel.eu bezüglich detaillierter Informationen zur Energieplakette.


11. INFORMATIONEN FÜR PRÜFINSTITUTE

Die Installation und die Vorbereitung des Geräts für eine eventuelle EcoDesign-Prüfung müssen mit EN 62552 übereinstimmen. Die Anforderungen an die Belüftung, die Abmessungen der Aussparungen und die Mindestabstände

auf der Rückseite müssen den Angaben in diesem Benutzerhandbuch in Kapitel 3 entsprechen. Für weitere Informationen, einschließlich der Beladungspläne, wenden Sie sich bitte an den Hersteller.

12. UMWELTTIPPS

Recyceln Sie Materialien mit dem Symbol . Entsorgen Sie die Verpackung in den entsprechenden Recyclingbehältern. Recyceln Sie zum Umwelt- und Gesundheitsschutz elektrische und elektronische Geräte.

Entsorgen Sie Geräte mit diesem Symbol  nicht mit dem Hausmüll. Bringen Sie das Gerät zu Ihrer örtlichen Sammelstelle oder wenden Sie sich an Ihr Gemeindeamt.

INDICE

1. INFORMAZIONI DI SICUREZZA.....	45
2. ISTRUZIONI DI SICUREZZA.....	48
3. INSTALLAZIONE.....	50
4. FUNZIONAMENTO.....	56
5. UTILIZZO QUOTIDIANO.....	57
6. CONSIGLI E SUGGERIMENTI UTILI.....	58
7. PULIZIA E CURA.....	61
8. RISOLUZIONE DEI PROBLEMI.....	62
9. RUMORI.....	66
10. DATI TECNICI.....	66
11. INFORMAZIONI PER GLI ISTITUTI DI PROVA.....	66

PENSATI PER VOI

Grazie per aver acquistato un'apparecchiatura Electrolux. Avete scelto un prodotto che ha alle spalle decenni di esperienza professionale e innovazione. Ingegnoso ed elegante, è stato progettato pensando a voi. Quindi, in qualsiasi momento desiderate utilizzarlo, potete esser certi di ottenere sempre i migliori risultati.

Benvenuti in Electrolux.

Visitate il nostro sito web per:



Ricevere consigli, scaricare i nostri opuscoli, eliminare eventuali anomalie, ottenere informazioni sull'assistenza e la riparazione:

www.electrolux.com/support



Per registrare il vostro prodotto e ricevere un servizio migliore:

www.registerelectrolux.com



Acquistare accessori, materiali di consumo e ricambi originali per la vostra apparecchiatura:

www.electrolux.com/shop

SERVIZIO CLIENTI E MANUTENZIONE

Consigliamo sempre l'impiego di ricambi originali.

Quando si contatta l'Assistenza, accertarsi di disporre dei seguenti dati: Modello, PNC, numero di serie.

Le informazioni si trovano sulla targhetta dei dati.

 **Avvertenza / Attenzione - Importanti Informazioni di Sicurezza.**

 **Informazioni e consigli generali**

 **Informazioni ambientali**

Con riserva di modifiche.

1. INFORMAZIONI DI SICUREZZA

Leggere attentamente le istruzioni fornite prima di installare e utilizzare l'apparecchiatura. I produttori non

sono responsabili di eventuali lesioni o danni derivanti da un'installazione o un uso scorretti. Conservare sempre le istruzioni in un luogo sicuro e accessibile per poterle consultare in futuro.

1.1 Sicurezza dei bambini e delle persone vulnerabili

- Questa apparecchiatura può essere usata da bambini a partire dagli 8 anni e da adulti con limitate capacità fisiche, sensoriali o mentali o con scarsa esperienza o conoscenza sull'uso dell'apparecchiatura, solamente se sorvegliati o se istruiti relativamente all'uso dell'apparecchiatura e se hanno compreso i rischi coinvolti.
- I bambini di età compresa tra i 3 e gli 8 anni possono caricare e scaricare l'apparecchio a condizione che siano stati adeguatamente istruiti.
- Questa apparecchiatura può essere usata da persone con disabilità diffuse e complesse, se debitamente istruite.
- Tenere lontani dall'apparecchiatura i bambini al di sotto dei 3 anni se non costantemente supervisionati.
- Non consentire ai bambini di giocare con l'apparecchiatura.
- I bambini non devono eseguire interventi di pulizia e manutenzione sull'apparecchiatura senza essere supervisionati.
- Tenere gli imballaggi lontano dai bambini e smaltirli in modo adeguato.

1.2 Sicurezza generale

- Questa apparecchiatura è destinata all'uso domestico e applicazioni simili, tra cui:
 - Case di campagna; cucine di negozi, uffici e altri ambienti di lavoro;
 - Clienti di hotel, motel, bed and breakfast e altri ambienti residenziali.

- Per evitare la contaminazione degli alimenti rispettare le seguenti istruzioni:
 - non aprire la porta per lunghi periodi;
 - pulire regolarmente le superfici che possono venire a contatto con gli alimenti e i sistemi di drenaggio accessibili;
 - conservare la carne e il pesce crudo in contenitori adeguati in frigorifero, in modo che non venga a contatto con altri alimenti e non goccioli su altri alimenti.
- **AVVERTENZA!** Verificare che le aperture di ventilazione, sia sull'apparecchiatura che nella struttura da incasso, siano libere da ostruzioni.
- **AVVERTENZA!** Non usare dispositivi elettrici o altri mezzi artificiali non raccomandati dal produttore allo scopo di accelerare il processo di sbrinamento.
- **AVVERTENZA!** Non danneggiare il circuito refrigerante.
- **AVVERTENZA!** Non utilizzare apparecchiature elettriche all'interno dei comparti di conservazione degli alimenti, ad eccezione di quelli consigliati dal costruttore.
- Non nebulizzare acqua né utilizzare vapore per pulire l'apparecchiatura.
- Pulire l'apparecchiatura con un panno inumidito e morbido. Utilizzare solo detersivi neutri. Non usare prodotti abrasivi, spugnette abrasive, solventi od oggetti metallici.
- Quando l'apparecchiatura resta vuota per un lungo periodo di tempo, spegnerla, sbrinarla, pulirla, asciugarla e lasciare la porta aperta per evitare la formazione di muffa al suo interno.
- Non conservare in questa apparecchiatura sostanze esplosive come bombolette spray contenenti un propellente infiammabile.
- Se il cavo di alimentazione è danneggiato, deve essere sostituito dal produttore, dal Centro di

Assistenza Autorizzato o da una persona qualificata per evitare situazioni di pericolo.

2. ISTRUZIONI DI SICUREZZA

2.1 Installazione



AVVERTENZA!

L'installazione dell'apparecchiatura deve essere eseguita da personale qualificato.

- Rimuovere tutti i materiali di imballaggio.
- Non installare o utilizzare l'apparecchiatura se è danneggiata.
- Attenersi alle istruzioni fornite insieme all'apparecchiatura.
- Prestare sempre attenzione in fase di spostamento dell'apparecchiatura, dato che è pesante. Usare sempre i guanti di sicurezza e le calzature adeguate.
- Assicurarsi che l'aria possa circolare liberamente attorno all'apparecchiatura.
- In fase di prima installazione o dopo aver girato la porta, attendere almeno 4 ore prima di collegare l'apparecchiatura alla sorgente di alimentazione. Questo serve a consentire all'olio di fluire nuovamente nel compressore.
- Prima di eseguire eventuali operazioni sull'apparecchiatura (ad esempio invertire la porta), togliere la spina dalla presa di corrente.
- Non installare l'apparecchiatura in prossimità di radiatori, fornelli, forni o piani di cottura.
- Non esporre l'apparecchiatura alla pioggia.
- Non installare l'apparecchiatura dove sia esposta alla luce solare diretta.
- Non installare questa apparecchiatura in aree troppo umide o troppo fredde.
- Quando si sposta l'apparecchiatura, sollevarla dal bordo anteriore, così da non graffiare il pavimento.

2.2 Collegamento elettrico



AVVERTENZA!

Rischio di incendio e scossa elettrica.



AVVERTENZA!

In fase di posizionamento dell'apparecchiatura, verificare che il cavo di alimentazione non sia intrappolato o danneggiato.



AVVERTENZA!

Non utilizzare prese multiple e prolunghe.

- L'apparecchiatura deve disporre di una messa a terra.
- Verificare che i parametri sulla targhetta siano compatibili con le indicazioni elettriche dell'alimentazione.
- Utilizzare sempre una presa elettrica con contatto di protezione correttamente installata.
- Accertarsi di non danneggiare i componenti elettrici (ad es. la spina di alimentazione, il cavo di alimentazione, il compressore). Contattare il Centro di Assistenza Autorizzato o un elettricista per sostituire i componenti elettrici.
- Il cavo di alimentazione deve rimanere sotto il livello della spina di alimentazione.
- Inserire la spina di alimentazione nella presa solo al termine dell'installazione. Verificare che la spina di alimentazione rimanga accessibile dopo l'installazione.
- Non tirare il cavo di alimentazione per scollegare l'apparecchiatura. Tirare sempre dalla spina.

2.3 Utilizzare



AVVERTENZA!

Rischio di lesioni, scottature o scosse elettriche.



L'apparecchiatura contiene gas infiammabile, isobutano (R600a), un gas naturale con un alto livello di compatibilità ambientale. Fare attenzione a non danneggiare il circuito refrigerante che contiene isobutano.

- Non modificare le specifiche tecniche dell'apparecchiatura.
- Non introdurre apparecchiature elettriche (ad es. gelatiere) nell'apparecchiatura se non specificamente consentito dal produttore.
- Nel caso di danno al circuito refrigerante, assicurarsi che non si sviluppino fiamme libere e scintille nel locale. Aerare bene l'ambiente.
- Non appoggiare oggetti incandescenti sulle parti in plastica dell'apparecchiatura.
- Non introdurre bevande analcoliche nel vano congelatore. Si verrà a creare una pressione nel contenitore della bevanda.
- Non conservare gas e liquidi infiammabili nell'apparecchiatura.
- Non appoggiare o tenere liquidi o materiali infiammabili, né oggetti facilmente incendiabili sull'apparecchiatura, al suo interno o nelle immediate vicinanze.
- Non toccare il compressore o il condensatore. Sono incandescenti.
- Non togliere o toccare gli oggetti nel vano congelatore con le mani bagnate o umide.
- Non ricongelare del cibo precedentemente scongelato.
- Attenersi alle istruzioni per la conservazione riportate sulla confezione del cibo surgelato.
- Avvolgere gli alimenti con materiali per uso alimentare prima di metterli nello scomparto del congelatore.

2.4 Illuminazione interna



AVVERTENZA!

Pericolo di scosse elettriche.

- Per quanto riguarda la lampada o le lampade all'interno di questo prodotto e le lampade di ricambio vendute separatamente: Queste lampade sono destinate a resistere a condizioni fisiche estreme negli elettrodomestici, come temperatura, vibrazioni, umidità, o sono destinate a segnalare informazioni sullo stato operativo dell'apparecchio. Non sono destinate ad essere utilizzate in altre applicazioni e non sono adatte per l'illuminazione di ambienti domestici.

2.5 Pulizia e cura



AVVERTENZA!

Vi è il rischio di ferirsi o danneggiare l'apparecchiatura.

- Prima di eseguire qualunque intervento di manutenzione, spegnere l'apparecchiatura ed estrarre la spina dalla presa.
- L'unità refrigerante di questa apparecchiatura contiene idrocarburi. L'unità deve essere ricaricata ed ispezionata esclusivamente da personale qualificato.
- Controllare regolarmente lo scarico dell'apparecchiatura e, se necessario, pulirlo. L'ostruzione dello scarico può causare un deposito di acqua di sbrinamento sul fondo dell'apparecchiatura.

2.6 Assistenza Tecnica

- Per riparare l'apparecchiatura contattare un Centro di Assistenza Autorizzato. Utilizzare esclusivamente ricambi originali.
- Tenere presente che la riparazione autonoma o non professionale possono avere conseguenze sulla sicurezza e potrebbero invalidare la garanzia.
- Le guarnizioni per porte saranno disponibili per 7 anni dopo l'interruzione del modello. termostati, sensori di temperatura, circuiti

- stampati, sorgenti luminose, maniglie delle porte, cerniere delle porte, vassoi e cestelli. Si prega di notare che alcuni di questi pezzi di ricambio sono disponibili solo per i riparatori professionisti e che non tutti i pezzi di ricambio sono rilevanti per tutti i modelli.
- Le guarnizioni per porte saranno disponibili per 10 anni dopo l'interruzione del modello.
 - Tagliare il cavo di rete e smaltirlo.
 - Rimuovere la porta per evitare che bambini e animali domestici rimangano chiusi all'interno dell'apparecchiatura.
 - Il circuito refrigerante e i materiali di isolamento di questa apparecchiatura rispettano l'ozono.
 - La schiuma isolante contiene gas infiammabili. Contattare le autorità locali per ricevere informazioni su come smaltire correttamente l'apparecchiatura.
 - Non danneggiare i componenti dell'unità refrigerante che si trovano vicino allo scambiatore di calore.

2.7 Smaltimento



AVVERTENZA!

Rischio di lesioni o soffocamento.

- Staccare la spina dall'alimentazione elettrica.

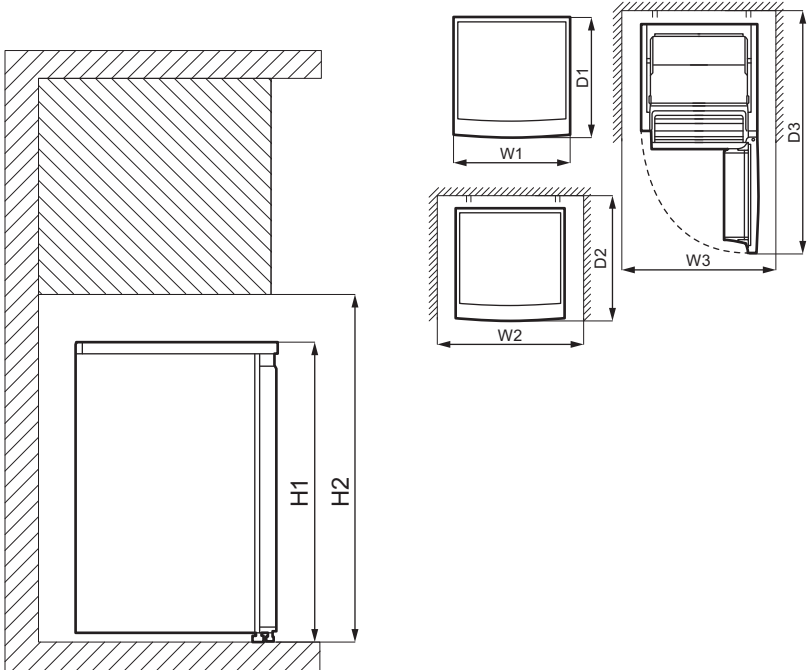
3. INSTALLAZIONE



AVVERTENZA!

Fare riferimento ai capitoli sulla sicurezza.

3.1 Dimensioni



Dimensioni complessive ¹⁾		
H1	mm	845
W1	mm	560
D1	mm	575

¹⁾ l'altezza, la larghezza e la profondità dell'apparecchio senza l'impugnatura e i piedini

Spazio necessario durante l'uso ¹⁾		
H2	mm	945
W2	mm	760

Spazio necessario durante l'uso ¹⁾		
D2	mm	650

¹⁾ l'altezza, la larghezza e la profondità dell'apparecchio, compresa la maniglia, più lo spazio necessario per la libera circolazione dell'aria di raffreddamento

Spazio complessivo necessario durante l'uso ¹⁾		
H2	mm	945
W3	mm	760

Spazio complessivo necessario durante l'uso¹⁾

D3	mm	1165
----	----	------

1) l'altezza, la larghezza e la profondità dell'apparecchiatura, compresa la maniglia, più lo spazio necessario per la libera circolazione dell'aria di raffreddamento, più lo spazio necessario per consentire l'apertura della porta con l'angolazione minima che permette la rimozione di tutte le apparecchiature interne

3.2 Posizione

Questa apparecchiatura non è stata pensata per essere usata come apparecchiatura da incasso.

In caso di installazione diversa da quella libera rispettando lo spazio richiesto dalle dimensioni d'uso, l'apparecchiatura funzionerà correttamente ma il consumo energetico potrebbe aumentare leggermente.

Per garantire la migliore funzionalità dell'elettrodomestico, non si dovrebbe installare l'apparecchio nelle vicinanze di fonti di calore (forno, stufe, termosifoni, fornelli o piani di cottura) o in luoghi esposti alla luce solare diretta. Controllare che sul retro dell'apparecchio sia garantita un'adeguata circolazione dell'aria.

Questa apparecchiatura deve essere installata in una posizione interna asciutta e ben ventilata.

Per garantire le migliori prestazioni, se l'apparecchiatura è posizionata sotto un pensile a sbalzo, deve essere mantenuta la distanza minima tra la parte superiore dell'armadio. L'apparecchiatura non deve tuttavia essere posizionata sotto un pensile. Uno o più piedini regolabili alla base dell'armadietto garantiscono che l'apparecchiatura resti in piano.



ATTENZIONE!

Se si posiziona l'apparecchiatura contro la parete, utilizzare i distanziatori posteriori in dotazione o mantenere la distanza minima indicata nelle istruzioni di installazione.



ATTENZIONE!

Se si installa l'apparecchiatura vicino a una parete, fare riferimento alle istruzioni di installazione per capire la distanza minima tra la parete e il lato dell'apparecchio dove le cerniere della porta devono fornire spazio sufficiente per aprire la porta quando l'apparecchiatura interna viene rimossa (ad es. durante la pulizia)..

Quest'elettrodomestico è destinato a essere utilizzato a temperature ambiente che vanno da 10°C a 43°C.



Il corretto funzionamento dell'apparecchiatura può essere garantito solo nel rispetto delle temperature indicate.



In caso di dubbi sul luogo di installazione dell'apparecchiatura, contattare il venditore, il nostro Centro di Assistenza o il Centro di Assistenza Autorizzato più vicino.



Deve essere possibile scollegare l'apparecchiatura dalla rete elettrica. Eseguire perciò l'installazione facendo sì che la spina rimanga facilmente accessibile.

3.3 Collegamento elettrico

- Prima di inserire la spina, verificare che la tensione e la frequenza riportate sulla targhetta di

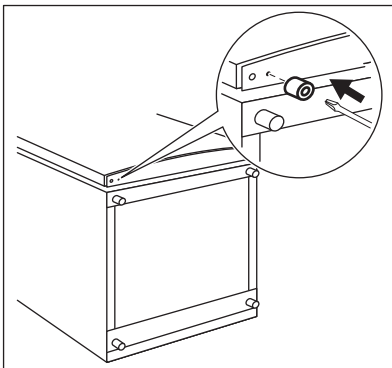
identificazione corrispondano a quelle dell'impianto domestico.

- L'apparecchiatura deve disporre di una messa a terra. La spina del cavo di alimentazione è dotata di un apposito contatto. Se la presa di corrente dell'impianto domestico non è collegata a terra, allacciare l'apparecchiatura a una presa di terra separata in conformità alle norme in vigore, rivolgendosi a un elettricista qualificato.
- Il produttore declina ogni responsabilità qualora le suddette precauzioni di sicurezza non vengano rispettate.
- Questa apparecchiatura è conforme alle direttive CEE.

3.4 Tampone di supporto in gomma

Non è necessario installare questa apparecchiatura aggiuntiva fornita in una busta con l'apparecchiatura durante il normale utilizzo.

Tuttavia, c'è il rischio che l'apparecchio diventi instabile quando tutti i prodotti alimentari sono collocati solo sugli scaffali delle porte. In questo caso installare il cuscinetto di supporto in gomma:



1. Inclinare l'apparecchiatura con cautela su un imballaggio di schiuma morbida o materiale simile per evitare di danneggiare il retro dell'apparecchiatura e il pavimento.
2. Trovare un foro in un coperchio inferiore della base e inserire una vite nel cuscinetto di supporto in gomma.

3. Avvitarlo al coperchio della base con un cacciavite a croce.

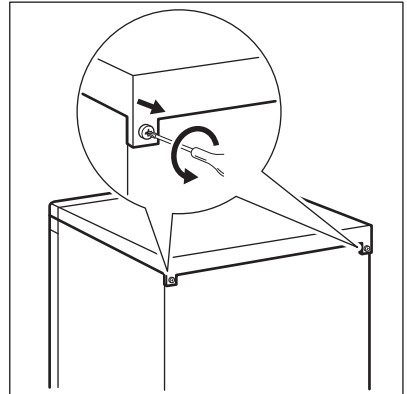
3.5 Possibilità di invertire la porta



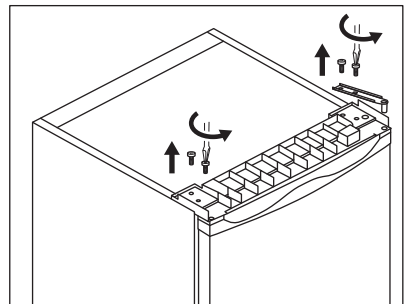
AVVERTENZA!

Prima di eseguire le operazioni descritte, estrarre la spina dalla presa di corrente.

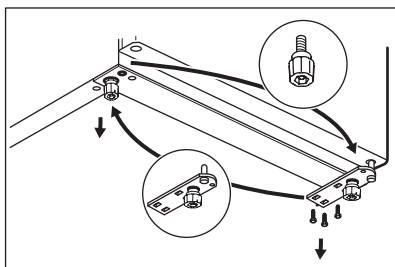
1. Controllare che l'apparecchiatura sia in posizione eretta.
2. Aprire la porta e rimuovere l'attrezzatura della porta. Fare riferimento al capitolo "Utilizzo quotidiano". Chiudere la porta.
3. Svitare le viti sul retro del coperchio superiore.



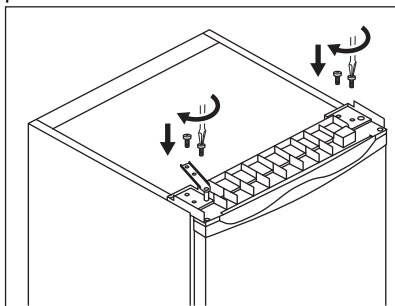
4. Sollevare il coperchio superiore e posizionarlo su una superficie morbida.
5. Rimuovere le 4 viti.



6. Sollevare la cerniera superiore e metterla in luogo sicuro insieme alle viti.
7. Sollevare la porta e riportarla su una superficie morbida.
8. Inclinare l'apparecchiatura con cautela su un imballaggio di schiuma morbida o materiale simile per evitare di danneggiare il retro dell'apparecchiatura e il pavimento.
9. Svitare le viti della cerniera inferiore e i piedini regolabili.
10. Installare il perno nel foro opposto della cerniera.

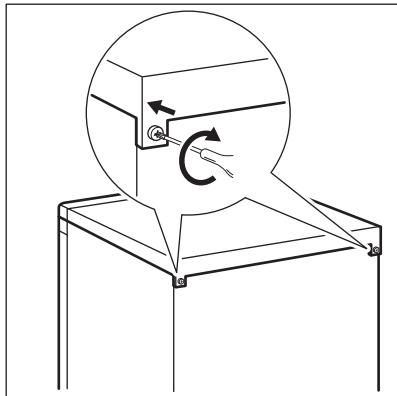


11. Avvitare la cerniera inferiore sull'altro lato dell'apparecchio.
12. Installare il supporto in gomma sul lato senza cerniera.
13. Montare la porta sulla cerniera inferiore assicurandosi che il perno della cerniera entri nel foro inferiore della porta.
14. Montare la cerniera superiore sul lato opposto dell'apparecchiatura. Inserire il perno superiore della cerniera nel foro superiore della porta. Serrare le viti.



15. Avvitare le 2 viti rimanenti sul lato superiore dell'apparecchio senza cerniera.

16. Posizionare il coperchio superiore sull'apparecchio e stringere le viti sul retro.



Installare l'apparecchiatura della porta.
Attendere almeno 4 ore prima di collegare l'apparecchiatura all'alimentazione.

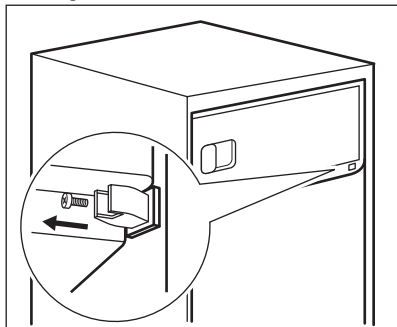
3.6 Inversione della porta del vano congelatore



AVVERTENZA!

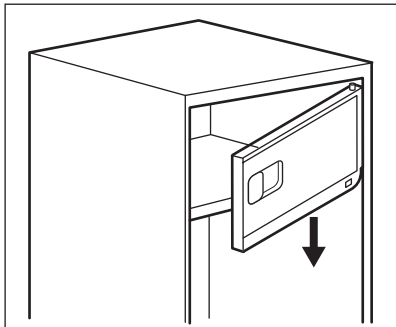
Prima di eseguire le operazioni descritte, estrarre la spina dalla presa di corrente.

1. Chiudere la porta del vano congelatore. Rimuovere la vite del pulsante di installazione. Posizionare il pulsante di installazione e la vite in un luogo sicuro.

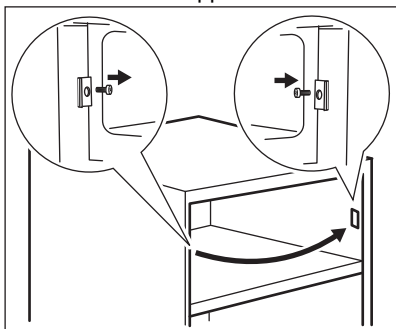


2. Aprire leggermente lo sportello di un compartimento congelatore. Tirare

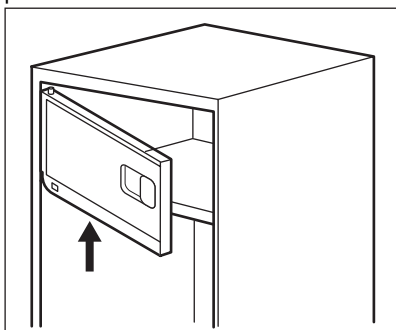
verso il basso lo sportello del vano congelatore e il tappo dal cuscinetto superiore dello sportello.



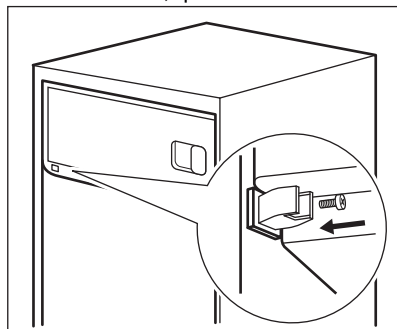
3. Rimuovere la fibbia di montaggio e installarla sul lato opposto.



4. Invertire lo sportello del vano congelatore di 180 gradi. Installare il tappo sul cuscinetto superiore della porta.



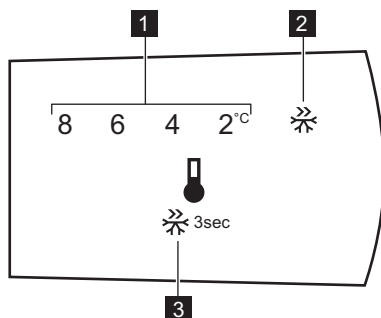
5. Montare lo sportello del congelatore e chiuderlo.
6. Fissare il pulsante di installazione al cuscinetto inferiore della porta. Premere il pulsante di installazione fino a quando non c'è più spazio tra esso e la cavità, quindi fissare la vite.



7. Togliere i coperchi dei fori da un sacchetto e metterli nei fori rimasti dopo la cerniera della porta.

4. FUNZIONAMENTO

4.1 Pannello di controllo



1. Spia della temperatura
2. Super Freeze spia
3. Tasto di controllo

4.2 Accensione

Inserire la spina nella presa a muro.

4.3 Spegnimento

Per spegnere l'elettrodomestico, rimuovere la spina dalla presa di corrente.

4.4 Regolazione della temperatura



La temperatura predefinita per lo scomparto frigorifero è 4 °C.

Per impostare la temperatura, premere ripetutamente il tasto di comando fino a raggiungere la temperatura desiderata.

È importante ricordare che la temperatura all'interno dell'apparecchiatura è condizionata dai seguenti fattori:

- temperatura ambiente,
- frequenza di apertura della porta,
- quantità di alimenti conservati,
- posizione dell'apparecchiatura.

In condizioni normali, si consiglia di utilizzare una regolazione media.

4.5 Funzione Super Freeze

Super Freeze viene utilizzato per eseguire il pre-congelamento e il congelamento rapido in sequenza del vano congelatore. La funzione accelera il congelamento di alimenti freschi e, al tempo stesso, protegge gli alimenti già conservati da riscaldamenti indesiderati.



Per congelare alimenti freschi, attivare la funzione Super Freeze almeno 24 ore prima di introdurli nel vano congelatore.

Premere e tenere premuto il tasto Comando per 3 secondi per attivare la funzione Super Freeze. La spia Super Freeze lampeggia.

Questa funzione si interrompe in modo automatico dopo 52 ore.

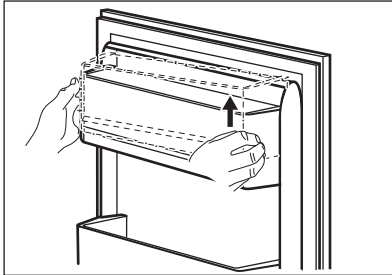
La funzione Super Freeze può essere disattivata prima della sua fine automatica tenendo premuto il tasto Comando tasto per 3 secondi. L'indicatore Super Freeze si spegne.

5. UTILIZZO QUOTIDIANO

5.1 Rimozione e installazione del ripiano della porta

Per togliere il ripiano della porta:

1. Tenere il lato sinistro dello scaffale.
2. Sollevare il lato destro del ripiano fino a quando non si libera dall'elemento di fissaggio.



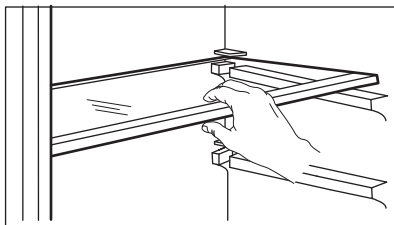
3. Sollevare il lato sinistro del ripiano e rimuoverlo.

Per rimettere a posto il ripiano:

1. Collocare il ripiano in posizione piana sulla porta.
2. Spingere due lati del ripiano verso il basso contemporaneamente, in modo che il ripiano si adatti ad entrambi gli elementi di fissaggio.

5.2 Ripiani mobili

Le guide presenti sugli scomparti del frigorifero permettono di posizionare i ripiani a diverse altezze.



Per garantire una corretta circolazione dell'aria, non spostare il ripiano di vetro sopra il cassetto delle verdure.

5.3 Cassetto per verdura

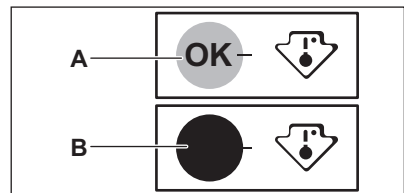
Nella parte inferiore dell'apparecchiatura è presente un cassetto speciale adatto alla conservazione di frutta e verdura.

5.4 Indicatore della temperatura

Per una corretta conservazione del cibo, il frigorifero è corredato di un indicatore di temperatura. Il simbolo sulla parete laterale dell'apparecchiatura indica la zona più fredda del frigorifero.

Se compare OK (A), mettere il cibo fresco nella zona indicata dal simbolo, se non (B), attendere almeno 12 ore e controllare se è OK (A).

Se non è ancora OK (B), regolare il controllo su un'impostazione più fredda.



5.5 Congelamento dei cibi freschi

Il vano congelatore è adatto al congelamento di cibi freschi e alla conservazione a lungo termine di alimenti congelati e surgelati.

Per congelare alimenti freschi, attivare la funzione Super Freeze almeno 24 ore prima di introdurli nel vano congelatore.

Conservare gli alimenti freschi distribuiti uniformemente nel vano congelatore.

La quantità massima di cibo che può essere congelata, senza l'aggiunta di altri alimenti freschi per 24 ore, è indicata sulla targhetta (un'etichetta situata all'interno dell'apparecchio).

5.6 Conservazione dei surgelati

Al primo avvio o dopo un periodo di non utilizzo, lasciare in funzione l'apparecchiatura per almeno 3 ore

attivando la funzione Super Freeze prima di introdurre gli alimenti.

Il cibo deve trovarsi ad una distanza di 15 mm dalla porta.



ATTENZIONE!

In caso di scongelamento accidentale, ad esempio a causa di un'interruzione di corrente, se la corrente è rimasta spenta più a lungo del valore indicato sulla targhetta sotto "tempo di risalita", gli alimenti scongelati devono essere consumati rapidamente o cotti immediatamente, poi raffreddati e poi ricongelati.

5.7 Scongellamento

Prima dell'utilizzo, i cibi surgelati o congelati possono essere scongelati nel

frigorifero o, per un processo più veloce, a temperatura ambiente.

Gli alimenti divisi in piccole porzioni possono essere cucinati direttamente, senza essere prima scongelati: in questo caso la cottura durerà più a lungo.

5.8 Vaschetta per il ghiaccio

Quest'elettrodomestico è dotato di una o più vaschette per la produzione di cubetti di ghiaccio.



Non utilizzare strumenti metallici per estrarre le vaschette dal vano congelatore.

1. Riempire d'acqua le vaschette per il ghiaccio.
2. Introdurle nel vano congelatore.

6. CONSIGLI E SUGGERIMENTI UTILI

6.1 Consigli per il risparmio energetico

- Frigorifero: L'uso più efficiente dell'energia è garantito dalla configurazione con i cassetti nella parte inferiore dell'apparecchiatura e i ripiani distribuiti uniformemente. La posizione degli scomparti sulla porta non influisce sul consumo energetico.
- Non aprire frequentemente la porta e limitare il più possibile i tempi di apertura.
- Frigorifero: Non impostare una temperatura troppo alta per risparmiare energia, a meno che non sia richiesta dalle caratteristiche dell'alimento.
- Se la temperatura ambiente è elevata, il controllo della temperatura è impostato su un valore basso e l'apparecchiatura è a pieno carico, il compressore può funzionare in maniera ininterrotta, causando la formazione di brina o di ghiaccio sull'evaporatore. In questo caso, impostare il controllo della temperatura su una posizione più elevata per consentire lo sbrinamento

automatico e ridurre così il consumo di energia.

- Garantire una buona ventilazione. Non coprire le griglie o i fori di ventilazione.


6.2 Consigli per il congelamento

- Attivare la funzione Super Freeze almeno 24 ore prima di inserire gli alimenti nel vano congelatore.
- Prima di congelare avvolgere e sigillare gli alimenti freschi in: foglio di alluminio, pellicola di plastica o sacchetti, contenitori ermetici con coperchio.
- Per congelare e scongelare in modo più efficace, suddividere gli alimenti in piccole porzioni.
- Si raccomanda di mettere etichette e date su tutti gli alimenti surgelati. Questo aiuterà a identificare gli alimenti e a sapere quando devono essere utilizzati prima del loro deterioramento.
- Il cibo deve essere fresco quando viene congelato per preservarne la buona qualità. Soprattutto frutta e verdura dovrebbero essere congelate

dopo il raccolto per preservare tutte le loro sostanze nutritive.

- Non congelare bottiglie o lattine con liquidi, in particolare bevande contenenti anidride carbonica - potrebbero esplodere durante il congelamento.
- Non mettere cibi caldi nel congelatore. Raffreddarli a temperatura ambiente prima di collocarli all'interno dello scomparto.
- Al fine di evitare gli aumenti di temperatura di alimenti già congelati, non mettere alimenti freschi scongelati nelle immediate vicinanze. Collocare gli alimenti a temperatura ambiente nella parte dello scomparto del congelatore dove non ci sono cibi surgelati.
- Non mangiare i cubetti di ghiaccio, i ghiaccioli o granite subito dopo averli tolti dal congelatore. Rischio di sintomi da congelamento.
- Non congelare nuovamente il cibo scongelato. Se il cibo si è scongelato, cuocerlo, raffreddarlo e poi congelarlo.

6.3 Consigli per la conservazione di cibi congelati

- Il vano congelatore è quello contrassegnato con .
- L'impostazione di una temperatura più elevata all'interno dell'apparecchiatura può portare a una minore durata di conservazione.
- L'intero scomparto del congelatore è adatto alla conservazione di prodotti alimentari surgelati.

- Lasciare abbastanza spazio intorno al cibo per permettere all'aria di circolare liberamente.
- Per una conservazione adeguata, fare riferimento all'etichetta sulla confezione dell'alimento per vedere la durata di conservazione degli alimenti.
- È importante avvolgere il cibo in modo tale da evitare che l'acqua, l'umidità o la condensa penetrino all'interno.

6.4 Consigli per l'acquisto

Dopo aver acquistato alimenti:

- Assicurarsi che l'imballaggio non sia danneggiato - il cibo potrebbe deteriorarsi. Se la confezione è gonfia o bagnata, potrebbe non essere stata conservata nelle condizioni ottimali e lo sbrinamento potrebbe essere già iniziato.
- Per limitare il processo di scongelamento, acquistare i prodotti surgelati alla fine della spesa e trasportarli in un sacchetto termico e isolato.
- Mettete i surgelati immediatamente nel congelatore dopo essere tornati dal negozio.
- Se il cibo si è scongelato anche solo parzialmente, non congelarlo di nuovo. Consumarlo il prima possibile.
- Rispettare la data di scadenza e le informazioni di conservazione sulla confezione.

6.5 Periodo di conservazione per scomparto congelatore

Tipo di cibo	Periodo di conservazione (mesi)
Pane	3
Frutta (a eccezione degli agrumi)	6 - 12
Verdure	8 - 10
Avanzi senza carne	1 - 2
Latticini:	

Tipo di cibo	Periodo di conservazione (mesi)
Burro	6 - 9
Formaggio a pasta molle (ad es. mozzarella)	3 - 4
Formaggio a pasta dura (ad es. parmigiano, cheddar)	6
Frutti di mare:	
Pesci grassi (ad es. salmone, sgombrò)	2 - 3
Pesci magri (ad es. merluzzo, platessa)	4 - 6
Gamberetti	12
Vongole e cozze sgusciate	3 - 4
Pesce cotto	1 - 2
Carne:	
Pollame	9 - 12
Manzo	6 - 12
Maiale	4 - 6
Agnello	6 - 9
Salsiccia	1 - 2
Prosciutto	1 - 2
Avanzi con carne	2 - 3

6.6 Consigli per la refrigerazione dei cibi freschi

- Una buona impostazione della temperatura che garantisce la conservazione degli alimenti freschi è una temperatura inferiore o uguale a +4°C.
L'impostazione di una temperatura più elevata all'interno dell'apparecchio può portare a una minore durata di conservazione degli alimenti.
- Coprire il cibo con un imballaggio per preservarne la freschezza e l'aroma.
- Utilizzare sempre contenitori chiusi per liquidi e per alimenti, per evitare sapori o odori nello scomparto.
- Per evitare la contaminazione incrociata tra cibo cotto e crudo, coprire il cibo cotto e separarlo da quello crudo.
- Si consiglia di scongelare il cibo all'interno del frigorifero.
- Non inserire cibo caldo all'interno dell'apparecchiatura. Assicurarsi che si sia raffreddato a temperatura ambiente prima di inserirlo.
- Per evitare lo spreco di cibo, la nuova scorta di cibo dovrebbe essere sempre collocata dietro a quella vecchia.

6.7 Consigli per la refrigerazione dei cibi

- Il comparto alimenti freschi è quello contrassegnato (sulla targhetta dei dati) con
- Carne (tutti i tipi): deve essere avvolta in appositi sacchetti e collocata sul ripiano di vetro, sopra il cassetto delle verdure. La carne può essere conservata al massimo per 1-2 giorni.
- Frutta e verdura: pulire accuratamente (eliminare lo sporco) e riporre nell'apposito cassetto (cassetto per la verdura).
- Si consiglia di non conservare in frigorifero i frutti esotici come banane, manghi, papaie, ecc.
- Le verdure come pomodori, patate, cipolle e aglio non devono essere conservate in frigorifero.
- Burro e formaggio: riporli in un apposito contenitore sottovuoto oppure avvolgerli in un foglio di alluminio o in un sacchetto di polietilene per limitare il più possibile la presenza di aria.
- Bottiglie: chiuderle con un tappo e conservarle nel ripiano portabottiglie della porta, o (se presente) sulla griglia portabottiglie.

- Fare sempre riferimento alla data di scadenza dei prodotti per sapere per quanto tempo conservarli.

7. PULIZIA E CURA



AVVERTENZA!

Fare riferimento ai capitoli sulla sicurezza.

7.1 Pulizia dell'interno

Prima di utilizzare l'elettrodomestico per la prima volta, lavare l'interno e gli accessori con acqua tiepida e sapone neutro per eliminare il tipico odore dei prodotti nuovi, quindi asciugare accuratamente.



ATTENZIONE!

Non usare detersivi, polveri abrasive, detersivi a base di cloro od olio, in quanto potrebbero danneggiare le finiture.



ATTENZIONE!

Gli accessori e le parti dell'elettrodomestico non sono adatti per essere lavati in lavastoviglie.

7.2 Pulizia periodica

L'apparecchiatura deve essere pulita regolarmente:

1. Lavare l'interno e gli accessori con acqua tiepida e sapone neutro.
2. Ispezionare regolarmente le guarnizioni della porta ed eliminare con un panno umido tracce di sporco e residui.
3. Risciacquare e asciugare accuratamente.

7.3 Sbrinamento dell'elettrodomestico



ATTENZIONE!

Non usare mai utensili metallici appuntiti per rimuovere la brina dall'evaporatore, in quanto potrebbero danneggiarlo. Non usare dispositivi meccanici o altri mezzi artificiali non raccomandati dal produttore allo scopo di accelerare il processo di sbrinamento.



Circa 12 ore prima dello sbrinamento, impostare una temperatura più bassa per accumulare una riserva di freddo sufficiente in caso di eventuale interruzione del funzionamento.



Lo sbrinamento del vano frigorifero è automatico.

Quando tale strato raggiunge uno spessore di ca. 3-5 mm, il vano congelatore deve essere sbrinato.

Per sbrinare il vano congelatore:

1. Spegnerne l'elettrodomestico o estrarre la spina della presa a parete.
2. Togliere gli eventuali alimenti conservati, avvolgerli in diversi strati di carta di giornale e riporli in un luogo fresco.

**ATTENZIONE!**

Un innalzamento della temperatura dei cibi congelati durante lo sbrinamento può ridurre la loro durata di conservazione.

Non toccare gli oggetti congelati con le mani bagnate. Le mani potrebbero congelarsi al contatto.

3. Rimuovere la vaschetta del ghiaccio.
4. Lasciare lo sportello aperto. Proteggere il pavimento dall'acqua di sbrinamento, ad esempio, con un panno o un recipiente piatto.
5. Per accelerare il processo di sbrinamento, collocare una ciotola di acqua calda nel vano congelatore. Inoltre, rimuovere i pezzi di ghiaccio che si distaccano prima che lo sbrinamento sia completo.
6. Una volta completato lo sbrinamento, asciugare accuratamente l'interno.

7. Accendere l'elettrodomestico e chiudere lo sportello.
8. Impostare il regolatore di temperatura al livello massimo di raffreddamento e lasciare in funzione l'elettrodomestico per tre ore.

Solo successivamente rimettere gli alimenti nello scomparto congelatore.

7.4 Periodi di non utilizzo

Se l'apparecchiatura non viene utilizzata per un lungo periodo, adottare le seguenti precauzioni:

1. Scollegare l'apparecchiatura dalla rete elettrica.
2. Estrarre tutti gli alimenti.
3. Sbrinare l'apparecchiatura.
4. Pulire l'apparecchiatura e tutti gli accessori.
5. Lasciare la porte socchiusa/e per evitare la formazione di odori sgradevoli.

8. RISOLUZIONE DEI PROBLEMI**AVVERTENZA!**

Fare riferimento ai capitoli sulla sicurezza.

8.1 Cosa fare se...

Problema	Causa possibile	Soluzione
L'apparecchiatura non funziona.	L'apparecchiatura è spenta.	Accendere l'apparecchiatura.
	La spina non è collegata correttamente alla presa elettrica.	Collegare correttamente la spina alla presa elettrica.
	La presa elettrica non ha tensione.	Collegare un'apparecchiatura elettrica diversa alla presa di alimentazione. Contattare un elettricista qualificato.
L'apparecchiatura è rumorosa.	L'apparecchiatura non è supportata correttamente.	Controllare che l'apparecchiatura abbia una posizione stabile.
Il compressore funziona in modo continuo.	La temperatura non è impostata correttamente.	Fare riferimento al capitolo "Funzionamento".

Problema	Causa possibile	Soluzione
	Sono stati introdotti molti alimenti contemporaneamente.	Attendere alcune ore e ri-controllare la temperatura.
	La temperatura ambiente è troppo alta.	Fare riferimento al capitolo "Installazione".
	Gli alimenti introdotti nell'apparecchiatura erano troppo caldi.	Prima di introdurre gli alimenti, lasciarli raffreddare a temperatura ambiente.
	La porta non è chiusa correttamente.	Fare riferimento alla sezione "Chiusura della porta".
	La funzione Super Freeze è attiva.	Vedere la sezione "Funzione Super Freeze".
Il compressore non si avvia immediatamente dopo aver premuto il "Super Freeze", oppure dopo avere cambiato la temperatura.	Il compressore si avvia dopo un certo periodo di tempo.	È normale, non si tratta di un'anomalia di funzionamento.
La porta non è allineata o interferisce con la griglia di ventilazione.	L'apparecchiatura non è perfettamente in piano.	Fare riferimento alle istruzioni di installazione.
La porta non si apre facilmente.	Si è cercato di riaprire la porta subito dopo averla chiusa.	Attendere alcuni secondi fra la chiusura della porta e la sua riapertura.
La lampadina non funziona.	La lampadina è in modalità stand-by.	Chiudere e aprire la porta.
	La lampadina è difettosa.	Contattare il Centro di Assistenza Autorizzato più vicino.
C'è una quantità eccessiva di brina e ghiaccio.	La porta non è chiusa correttamente.	Fare riferimento alla sezione "Chiusura della porta".
	La guarnizione è deformato o sporca.	Fare riferimento alla sezione "Chiusura della porta".
	Gli alimenti non sono stati avvolti in maniera idonea.	Avvolgere meglio gli alimenti.
	La temperatura non è impostata correttamente.	Fare riferimento al capitolo "Funzionamento".
	L'apparecchiatura è completamente carica ed è impostata sulla temperatura più bassa.	Impostare una temperatura superiore. Fare riferimento al capitolo "Funzionamento".

Problema	Causa possibile	Soluzione
	La temperatura impostata nell'apparecchiatura è troppo bassa e la temperatura ambiente è troppo alta.	Impostare una temperatura superiore. Fare riferimento al capitolo "Funzionamento".
Sulla piastra posteriore del frigorifero scorre l'acqua.	Durante lo sbrinamento automatico, la brina si scioglie sul pannello posteriore.	Ciò è corretto. Asciugare l'acqua con un panno morbido.
Si è condensata troppa acqua sulla parete posteriore del frigorifero.	La porta è stata aperta con eccessiva frequenza.	Aprire la porta solo se necessario.
	La porta non è stata chiusa completamente.	Controllare che la porta sia chiusa completamente.
	Il cibo conservato non è stato avvolto nell'apposito materiale.	Avvolgere gli alimenti in un imballaggio adeguato prima di riporli all'interno dell'apparecchiatura.
L'acqua scorre all'interno del frigorifero.	Gli alimenti impediscono all'acqua di scorrere nell'apposito collettore.	Assicurarsi che gli alimenti non tocchino il pannello posteriore.
	Lo scarico dell'acqua è ostruito.	Pulire lo scarico dell'acqua.
L'acqua scorre sul pavimento.	Lo scarico dell'acqua di sbrinamento non è collegato alla vaschetta di evaporazione posta al di sopra del compressore.	Collegare lo scarico dell'acqua di sbrinamento alla vaschetta di evaporazione.
Non è possibile impostare la temperatura.	La funzione Super Freeze è attiva.	Disattivare manualmente la funzione Super Freeze oppure aspettare finché non si disattiva automaticamente per impostare la temperatura. Fare riferimento alla sezione "Funzione Super Freeze".
La temperatura all'interno dell'apparecchiatura è troppo bassa/troppo alta.	La temperatura non è impostata correttamente.	Impostare una temperatura superiore/inferiore.
	La porta non è chiusa correttamente.	Fare riferimento alla sezione "Chiusura della porta".
	La temperatura degli alimenti è troppo alta.	Prima di introdurre gli alimenti, lasciarli raffreddare a temperatura ambiente.

Problema	Causa possibile	Soluzione
	Sono stati introdotti molti alimenti contemporaneamente.	Introdurre meno alimenti poco alla volta allo stesso tempo.
	Lo spessore della brina è maggiore di 4-5 mm.	Sbrinare l'apparecchiatura.
	La porta viene aperta frequentemente.	Aprire la porta solo se necessario.
	La funzione Super Freeze è attiva.	Vedere la sezione "Funzione Super Freeze".



Se il suggerimento non dà i risultati auspicati, contattare il Centro di Assistenza Autorizzato più vicino.

8.2 Sostituzione della lampadina

L'apparecchiatura è dotata di una lampadina interna a LED a lunga durata.

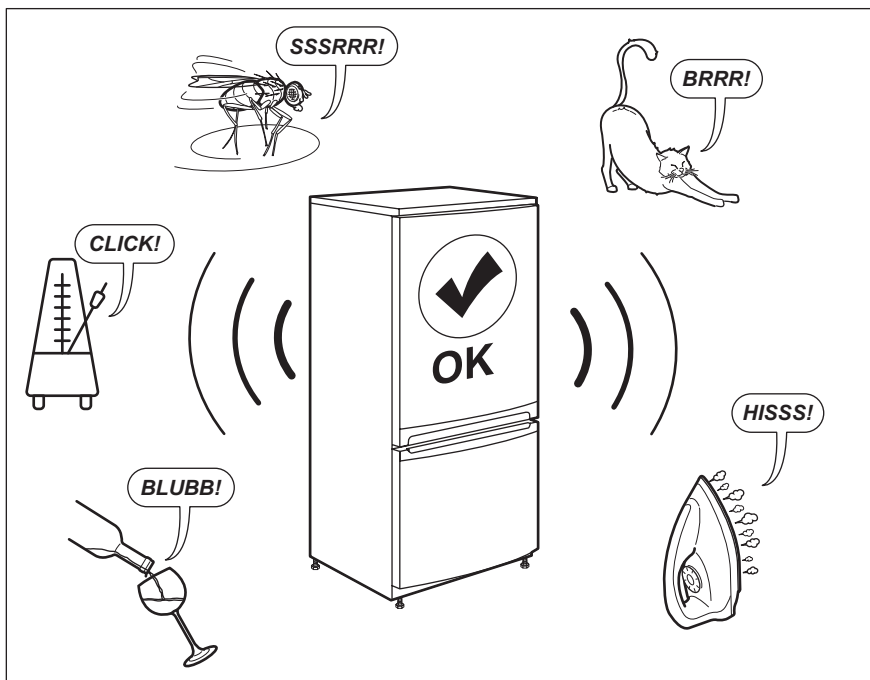
Solo al Centro di Assistenza è permesso sostituire l'impianto d'illuminazione.

Contattare un Centro Assistenza autorizzato.

8.3 Chiusura della porta

1. Pulire le guarnizioni della porta.
2. Se necessario, regolare la porta. Fare riferimento al capitolo "Installazione".
3. Se necessario, sostituire le guarnizioni difettose. Contattare il Centro Assistenza Autorizzato.

9. RUMORI



10. DATI TECNICI

I dati tecnici sono riportati sulla targhetta dei dati applicata sul lato esterno dell'apparecchiatura e sull'etichetta dei valori energetici.

Il codice QR sull'etichetta energetica fornita con l'apparecchiatura riporta un link web alle informazioni correlate al funzionamento di questa apparecchiatura nella banca dati EPREL dell'UE. Conservare l'etichetta energetica come riferimento insieme al

manuale d'uso e a tutti gli altri documenti forniti con questa apparecchiatura.

È possibile trovare le stesse informazioni anche in EPREL utilizzando il link <https://eprel.ec.europa.eu> e il nome del modello e il numero di prodotto che si trovano sulla targhetta dell'apparecchiatura.


Per informazioni dettagliate sull'etichetta energetica, vedere il sito www.theenergylabel.eu.


11. INFORMAZIONI PER GLI ISTITUTI DI PROVA

L'installazione e la preparazione dell'apparecchiatura per qualsiasi verifica di EcoDesign devono essere conformi a EN 62552. I requisiti di ventilazione, le dimensioni dell'incavo e le distanze minime dalla parte posteriore devono

essere conformi a quanto indicato nel presente manuale d'uso al capitolo 3. Si prega di contattare il produttore per qualsiasi altra informazione, compresi i piani di carico.

12. CONSIDERAZIONI SULL'AMBIENTE

Riciclare i materiali con il simbolo .
Buttare l'imballaggio negli appositi contenitori per il riciclaggio. Aiutare a proteggere l'ambiente e la salute umana e a riciclare rifiuti derivanti da apparecchiature elettriche ed elettroniche. Non smaltire le

apparecchiature che riportano il simbolo  insieme ai normali rifiuti domestici. Portare il prodotto al punto di riciclaggio più vicino o contattare il comune di residenza.

CONTENIDO

1. INFORMACIÓN SOBRE SEGURIDAD.....	68
2. INSTRUCCIONES DE SEGURIDAD.....	71
3. INSTALACIÓN.....	73
4. FUNCIONAMIENTO.....	78
5. USO DIARIO.....	79
6. CONSEJOS.....	80
7. MANTENIMIENTO Y LIMPIEZA.....	83
8. SOLUCIÓN DE PROBLEMAS.....	84
9. RUIDOS.....	88
10. DATOS TÉCNICOS.....	88
11. INFORMACIÓN PARA LOS INSTITUTOS DE PRUEBAS.....	88

PENSAMOS EN USTED

Gracias por adquirir un aparato Electrolux. Ha escogido un producto que contiene décadas de experiencia e innovación profesionales. Ingenioso y elegante, se ha diseñado pensando en usted. Así pues, siempre que lo utilice, puede tener la seguridad de que conseguirá excelentes resultados.

Bienvenido a Electrolux.

Visite nuestro sitio web para:



Obtener consejos, folletos, soluciones a problemas e información de servicio y reparación:

www.electrolux.com/support



Registrar su producto para recibir un mejor servicio:

www.registerelectrolux.com



Adquirir accesorios, artículos de consumo y recambios originales para su aparato:


www.electrolux.com/shop

ATENCIÓN Y SERVICIO AL CLIENTE

Le recomendamos que utilice recambios originales.

Al contactar con nuestro centro autorizado de servicio técnico, cerciúrese de tener la siguiente información a mano: Modelo, PNC, Número de serie.

La información se puede encontrar en la placa de características.

 Advertencia / Precaución-Información sobre seguridad

 Información general y consejos

 Información sobre el medio ambiente

Salvo modificaciones.

1. INFORMACIÓN SOBRE SEGURIDAD

Antes de instalar y utilizar el aparato, lea atentamente las instrucciones facilitadas. El fabricante no se hace responsable de lesiones o daños producidos como

resultado de una instalación o un uso incorrectos. Conserve siempre estas instrucciones en lugar seguro y accesible para futuras consultas.

1.1 Seguridad de niños y personas vulnerables

- Este aparato puede ser utilizado por niños de 8 años en adelante y personas cuyas capacidades físicas, sensoriales o mentales estén disminuidas o que carezcan de la experiencia y conocimientos suficientes para manejarlo, siempre que cuenten con las instrucciones o la supervisión sobre el uso del electrodoméstico de forma segura y comprendan los riesgos.
- Los niños de 3 a 8 años pueden cargar y descargar el aparato siempre que hayan sido debidamente instruidos.
- Este aparato puede ser utilizado por personas con discapacidades muy extensas y complejas, siempre que hayan sido instruidas adecuadamente.
- Es necesario mantener alejados del aparato a los niños de menos de 3 años salvo que estén bajo supervisión continua.
- No deje que los niños jueguen con el aparato.
- La limpieza y mantenimiento de usuario del aparato no podrán ser realizados por niños sin supervisión.
- Mantenga todo el material de embalaje fuera del alcance de los niños y deséchelo de forma adecuada.

1.2 Seguridad general

- Este aparato está concebido para utilizarse en aplicaciones domésticas y similares, tales como:
 - Granjas; áreas de cocina para el personal en tiendas, oficinas y otros entornos de trabajo;
 - Por clientes en hoteles, moteles, pensiones y otros entornos de tipo residencial.
- Para evitar la contaminación alimentaria, respete las siguientes instrucciones:

- no abra la puerta durante largos periodos de tiempo;
- limpie regularmente las superficies que pueden entrar en contacto con los alimentos y los sistemas de drenaje accesibles;
- guarde la carne y el pescado crudos en recipientes adecuados en el frigorífico, de manera que no estén en contacto con otros alimentos ni goteen sobre ellos.
- ADVERTENCIA: Mantenga libres de obstrucciones las aberturas de ventilación del alojamiento del aparato o de la estructura empotrada.
- ADVERTENCIA: No utilice dispositivos mecánicos ni medios artificiales para acelerar el proceso de descongelación, excepto los recomendados por el fabricante.
- ADVERTENCIA: No dañe el circuito del refrigerante.
- ADVERTENCIA: No utilice dispositivos eléctricos dentro de los compartimientos para alimentos del aparato, salvo si son del tipo recomendado por el fabricante.
- No utilice pulverizadores ni vapor de agua para limpiar el aparato.
- Limpie el aparato con un paño suave humedecido. Utilice solo detergentes neutros. No utilice productos abrasivos, estropajos duros, disolventes ni objetos metálicos.
- Cuando el aparato esté vacío durante un largo período, apáguelo, descongélelo, límpielo, séquelo y deje la puerta abierta para evitar que se desarrolle moho en el interior del aparato.
- No almacene sustancias explosivas tales como latas de aerosol con un propulsor inflamable en este aparato.
- Si el cable eléctrico sufre algún daño, el fabricante, su servicio técnico autorizado o un profesional cualificado tendrán que cambiarlo para evitar riesgos.

2. INSTRUCCIONES DE SEGURIDAD

2.1 Instalación



ADVERTENCIA!

Sólo un técnico cualificado puede instalar el aparato.

- Retire todo el embalaje.
- No instale ni utilice un aparato dañado.
- Siga las instrucciones de instalación suministradas con el aparato.
- Tenga cuidado al mover el aparato, porque es pesado. Utilice siempre guantes de protección y calzado cerrado.
- Asegúrese de que el aire pueda circular alrededor del aparato.
- En la primera instalación otras invertir el sentido de apertura de la puerta, espere al menos 4 horas antes de conectar el aparato a la alimentación eléctrica. Esto es para permitir que el aceite regrese al compresor.
- Desenchufe siempre el aparato antes de llevar a cabo cualquier operación, por ejemplo cambiar el sentido de apertura de la puerta.
- No instale el aparato cerca de radiadores, cocinas, hornos o placas de cocción.
- No exponga el aparato a la lluvia.
- No instale el aparato donde reciba luz solar directa.
- No instale este aparato en áreas excesivamente húmedas o frías.
- Al mover el aparato, levántelo por el borde frontal para no arañar el suelo.

2.2 Conexión eléctrica



ADVERTENCIA!

Riesgo de incendios y descargas eléctricas.



ADVERTENCIA!

Al colocar el producto, asegúrese de que el cable de alimentación no queda atrapado o doblado.



ADVERTENCIA!

No utilice adaptadores de enchufes múltiples ni cables prolongadores.

- El aparato debe conectarse a tierra.
- Asegúrese de que los parámetros de la placa de características son compatibles con los valores eléctricos del suministro eléctrico.
- Utilice siempre una toma con aislamiento de conexión a tierra correctamente instalada.
- Asegúrese de no provocar daños en los componentes eléctricos (como enchufe, cable de alimentación, compresor). Póngase en contacto con un electricista o con el servicio técnico autorizado para cambiar los componentes eléctricos.
- El cable de alimentación debe estar por debajo del nivel del enchufe de alimentación.
- Conecte el enchufe a la toma de corriente únicamente cuando haya terminado la instalación. Asegúrese de tener acceso al enchufe del suministro de red una vez finalizada la instalación.
- No desconecte el aparato tirando del cable de conexión a la red. Tire siempre del enchufe.

2.3 Uso del aparato



ADVERTENCIA!

Existe riesgo de lesiones, quemaduras, descargas eléctricas o incendios.



El aparato contiene un gas inflamable, isobutano (R600a), un gas natural con alto grado de compatibilidad medioambiental. Tenga cuidado para no dañar el circuito de refrigerante que contiene isobutano.

- No cambie las especificaciones de este aparato.
- No utilice otros aparatos eléctricos (como máquinas de hacer helados) dentro de aparatos de refrigeración,

salvo que el fabricante haya autorizado su utilización.

- Si se daña el circuito del refrigerante, evite las llamas y fuentes de ignición en la habitación. Ventile la habitación.
- No toque con elementos calientes las piezas de plástico del aparato.
- No coloque bebidas con gas en el congelador. Se creará presión en el contenedor de la bebida.
- No almacene gas ni líquido inflamable en el aparato.
- No coloque productos inflamables ni objetos mojados con productos inflamables dentro, cerca o encima del aparato.
- No toque el compresor ni el condensador. Están calientes.
- No retire ni toque elementos del compartimento congelador con las manos húmedas o mojadas.
- No vuelva a congelar alimentos que se hayan descongelado.
- Siga las instrucciones del envase de los alimentos congelados.
- Envuelva los alimentos en cualquier material adecuado antes de ponerlos en el congelador.

2.4 Luces interiores



ADVERTENCIA!

Riesgo de descarga eléctrica.

- En cuanto a la(s) bombilla(s) de este producto y las de repuesto vendidas por separado: Estas bombillas están destinadas a soportar condiciones físicas extremas en los aparatos domésticos, como la temperatura, la vibración, la humedad, o están destinadas a señalar información sobre el estado de funcionamiento del aparato. No están destinadas a utilizarse en otras aplicaciones y no son adecuadas para la iluminación de estancias domésticas.

2.5 Mantenimiento y limpieza



ADVERTENCIA!

Podría sufrir lesiones o dañar el aparato.

- Antes de proceder con el mantenimiento, apague el aparato y desconecte el enchufe de la red.
- Este equipo contiene hidrocarburos en la unidad de refrigeración. Solo una persona cualificada debe realizar el mantenimiento y la recarga de la unidad.
- Examine periódicamente el desagüe del aparato y límpielo si fuera necesario. Si el desagüe se bloquea, el agua descongelada se acumulará en la base del aparato.

2.6 Asistencia

- Para reparar el aparato, póngase en contacto con el centro de servicio autorizado. Utilice solamente piezas de recambio originales.
- Tenga en cuenta que la autorreparación o la reparación no profesional puede tener consecuencias de seguridad y podría anular la garantía.
- Las siguientes piezas de repuesto estarán disponibles durante 7 años después de que el modelo se haya retirado: termostatos, sensores de temperatura, placas de circuitos impresos, fuentes de luz, manijas de puertas, bisagras de puertas, bandejas y cestas. Tenga en cuenta que algunas de estas piezas de recambio solo están disponibles para los reparadores profesionales, y que no todas las piezas de recambio son relevantes para todos los modelos.
- Las juntas de las puertas estarán disponibles durante 10 años después de que el modelo se haya retirado.

2.7 Desecho



ADVERTENCIA!

Existe riesgo de lesiones o asfixia.

- Desconecte el aparato de la red.
- Corte el cable de conexión a la red y deséchelo.
- Retire la puerta para evitar que los niños y las mascotas queden encerrados en el aparato.
- El circuito del refrigerante y los materiales aislantes de este aparato no dañan la capa de ozono.

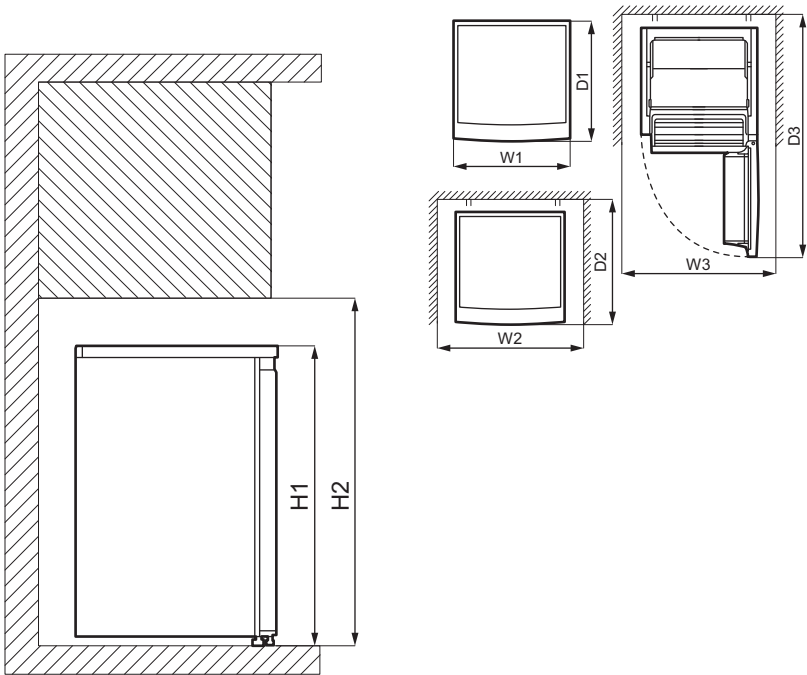
- La espuma aislante contiene gas inflamable. Póngase en contacto con las autoridades locales para saber cómo desechar correctamente el aparato.
- No dañe la parte de la unidad de refrigeración que está cerca del intercambiador de calor.

3. INSTALACIÓN



ADVERTENCIA!
 Consulte los capítulos sobre seguridad.

3.1 Medidas



Dimensiones generales ¹⁾		
H1	mm	845
W1	mm	560

Dimensiones generales ¹⁾		
D1	mm	575

¹⁾ la altura, anchura y profundidad del aparato sin el mango y las patas

Espacio necesario en uso ¹⁾		
H2	mm	945
W2	mm	760
D2	mm	650

¹⁾ la altura, anchura y profundidad del aparato, incluyendo la manija, más el espacio necesario para la libre circulación del aire de refrigeración

Espacio total necesario en uso ¹⁾		
H2	mm	945
W3	mm	760
D3	mm	1165

¹⁾ la altura, anchura y profundidad del aparato, incluido el mango, más el espacio necesario para la libre circulación del aire de refrigeración, más el espacio necesario para permitir la apertura de la puerta hasta el ángulo mínimo que permita la extracción de todo el equipo interno

3.2 Ubicación

Este aparato no está diseñado para utilizarse empotrado.

En el caso de una instalación diferente de la autónoma respetando el espacio requerido en las dimensiones de uso, el aparato funcionará correctamente pero el consumo de energía podría aumentar ligeramente.

Para garantizar el mejor funcionamiento del aparato, no debe instalarse en las proximidades de la fuente de calor (horno, estufas, radiadores, cocinas o fogones) ni en un lugar con luz solar directa. Asegúrese de que el aire pueda circular libremente alrededor de la parte posterior del armario.

Este aparato debe instalarse en una ubicación interior seca y bien ventilada.

Para garantizar el mejor rendimiento, si el aparato se coloca debajo de un mueble de cocina colgado en la pared, mantenga la distancia mínima entre la parte superior y el mueble. Sin embargo, lo ideal sería que el aparato no se

coloque debajo de los muebles de pared. Una o más patas ajustables en la base del armario garantizan que el aparato se mantiene nivelado.



PRECAUCIÓN!

Se coloca el aparato contra un muro, utilice los separadores traseros suministrados o mantenga la distancia mínima indicada en las instrucciones de instalación.



PRECAUCIÓN!

Se instala el aparato junto muro, consulte las instrucciones de instalación para conocer la distancia mínima entre el muro y el lado del aparato donde se encuentran las bisagras de la puerta para dejar espacio suficiente para abrir la puerta al retirar los equipos internos (por ejemplo, limpiar).

Este aparato está destinado a ser utilizado a una temperatura ambiente que oscila entre 10°C y 43°C.



Solo se puede garantizar el correcto funcionamiento del aparato dentro del rango de temperatura especificado.



Si tiene cualquier duda respecto al lugar de instalación del aparato, consulte al vendedor, a nuestro servicio de atención al cliente o al centro de servicio autorizado más cercano.



Puede que en algún momento sea necesario desconectar el aparato de la toma de corriente. Por lo que el enchufe debe quedar accesible tras la instalación del aparato.

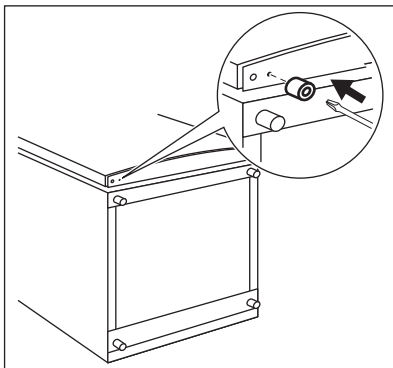
3.3 Conexión eléctrica

- Antes de conectar el aparato, compruebe que el voltaje y la frecuencia indicados en la placa de datos técnicos se corresponden con el suministro de la vivienda.
- El aparato debe conectarse a tierra. El enchufe del cable de alimentación se suministra con un contacto para tal fin. Si la toma de red de la vivienda carece de conexión a tierra, conecte el aparato a una toma de tierra conforme con la normativa, después de consultar a un electricista profesional
- El fabricante declina toda responsabilidad si no se toman las precauciones antes indicadas.
- Este aparato cumple las directivas CEE.

3.4 Almohadilla de apoyo de goma

No hay necesidad de instalar este equipo adicional provisto en una bolsa a su aparato durante el uso normal.

Sin embargo, existe el riesgo de que el aparato se vuelva inestable cuando todos los productos alimenticios se colocan solo en los estantes de las puertas. En este caso, instale la almohadilla de soporte de goma:



1. Inclíne el aparato con cuidado sobre un embalaje de espuma blanda o un material similar para evitar cualquier daño a la parte posterior del aparato y al suelo.

2. Localice un agujero en la cubierta de la base inferior e inserte un tornillo en la almohadilla de soporte de goma.
3. Atorníllela a la cubierta de la base con un destornillador de cruz.

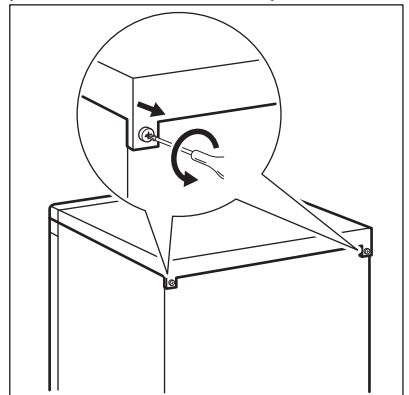
3.5 Cambio del sentido de apertura de la puerta



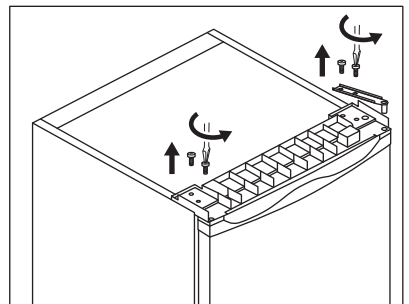
ADVERTENCIA!

Desenchufe siempre el aparato antes de llevar a cabo cualquier operación.

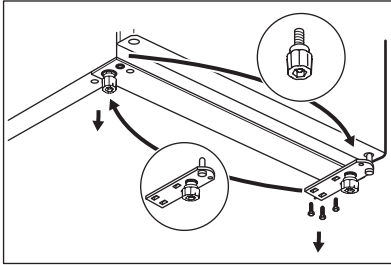
1. Asegúrese de que el aparato se mantenga en posición vertical.
2. Abra la puerta y saque el equipo de la puerta. Consulte "Uso diario". Cierre la puerta.
3. Desatornille los tornillos de la parte posterior de la cubierta superior.



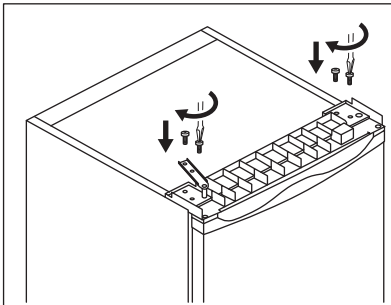
4. Levante la cubierta superior y colóquela sobre una superficie blanda.
5. Desatornille los 4 tornillos.



6. Levante la bisagra superior y póngala en un lugar seguro junto con los tornillos.
7. Levante la puerta y colóquela sobre una superficie blanda.
8. Incline el aparato con cuidado sobre un embalaje de espuma blanda o un material similar para evitar cualquier daño a la parte posterior del aparato y al suelo.
9. Desatornille los tornillos de la bisagra inferior y las patas ajustables.
10. Coloque el pasador en el orificio opuesto de la bisagra.

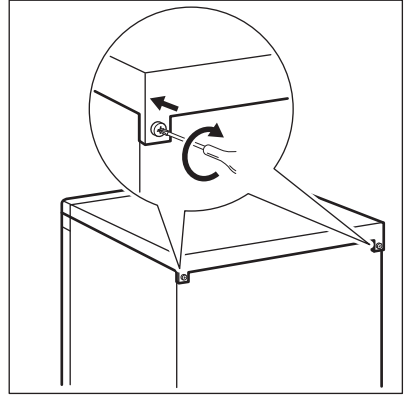


11. Atornille la bisagra inferior en el otro lado del aparato.
12. Instale el soporte de goma en el lado sin bisagra.
13. Encaje la puerta en la bisagra inferior asegurándose de que el pasador de la bisagra entra en el agujero inferior de la puerta.
14. Coloque la bisagra superior en el lado opuesto del aparato. Monte el pasador de la bisagra superior en el agujero superior de la puerta. Apriete los tornillos.



15. Atornille los 2 tornillos restantes en la parte superior del aparato sin bisagra.

16. Coloque la cubierta superior del aparato y apriete los tornillos de la parte posterior.



Instale el equipo de la puerta.

Espere al menos 4 horas antes de conectar el aparato a la alimentación eléctrica.

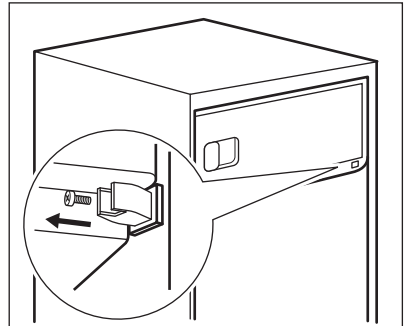
3.6 Inversión de la puerta del compartimento congelador



ADVERTENCIA!

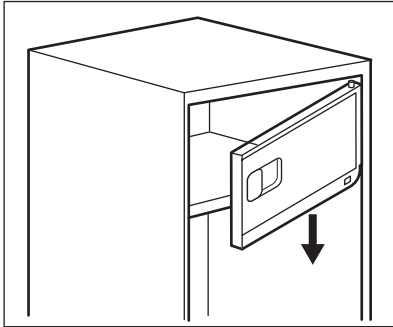
Desenchufe siempre el aparato antes de llevar a cabo cualquier operación.

1. Cierre la puerta del congelador. Desatornille el tornillo del botón de instalación. Coloque el botón de instalación y el tornillo en un lugar seguro.

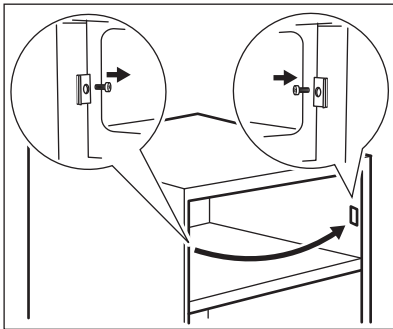


2. Abra un poco la puerta del congelador. Baje la puerta del congelador y la tapa del cojinete

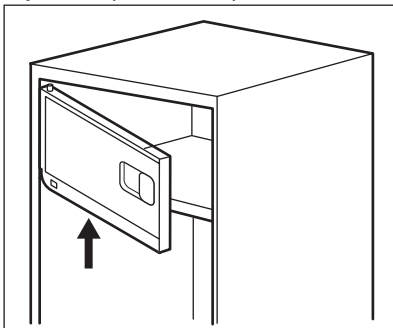
superior de la puerta.



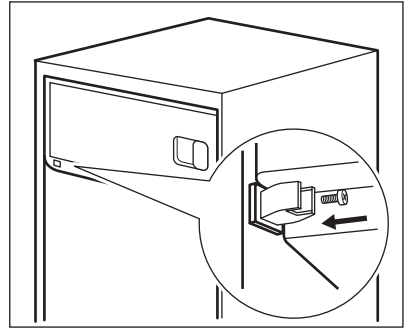
3. Retire la hebilla de instalación e instale en el lado opuesto



4. Invierta la puerta del congelador en 180 grados. Instale la tapa en el cojinete superior de la puerta.



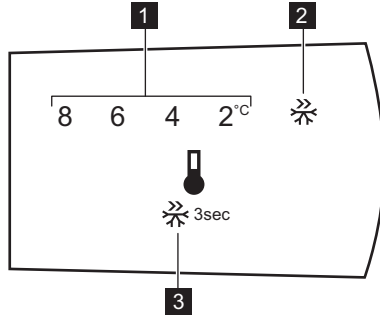
5. Coloque la puerta del congelador y ciérrelas.
6. Fije el botón de instalación en el rodamiento inferior de la puerta. Presione el botón de instalación hasta que no haya ningún hueco entre él y la cavidad, después fije el tornillo.



7. Saque las tapas de los agujeros de una bolsa y póngalas en los agujeros que quedan después de la bisagra de la puerta.

4. FUNCIONAMIENTO

4.1 Panel de control



1. Indicador de temperatura
2. Indicador Super Freeze
3. Botón Control

4.2 Encendido

Introduzca el enchufe en la toma de corriente.

4.3 Apagado

Para apagar el aparato, desenchufe el enchufe de la toma de corriente.

4.4 Regulación de temperatura



La temperatura predeterminada del compartimento frigorífico es de 4°C.

Para ajustar la temperatura, pulse el botón de control repetidamente hasta que alcance la temperatura deseada.

El ajuste debe elegirse teniendo en cuenta que la temperatura interior del aparato depende de:

- temperatura ambiente,
- frecuencia de apertura de la puerta,
- cantidad de alimentos guardados,
- ubicación del aparato.

Lo más conveniente es ajustar la temperatura en una posición intermedia.

4.5 Función Super congelación

Super Freeze se utiliza para realizar la pre congelación y la congelación rápida en secuencia en el compartimento del congelador. Esta función acelera la congelación de alimentos frescos e impide que se calienten los alimentos ya almacenados.



Para congelar alimentos frescos, active la función Super Freeze al menos 24 horas antes de introducir los alimentos para completar la pre congelación.

Para activar la función Super Freeze, mantenga pulsado el botón de control durante 3 segundos. El indicador Super Freeze parpadea.

La función se para automáticamente después de 52 horas.

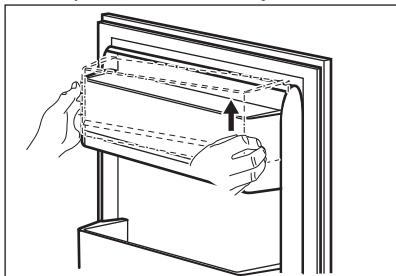
Puede desactivar la función Super Freeze antes de su finalización automática manteniendo pulsado el botón de control durante 3 segundos. El indicador Super Freeze se apaga.

5. USO DIARIO

5.1 Extracción e instalación del estante de la puerta

Para retirar el estante de la puerta:

1. Sostenga el lado izquierdo del estante.
2. Levante el lado derecho del estante hasta que se libere del sujetador.



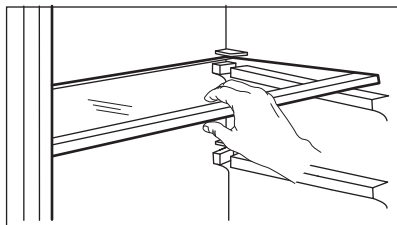
3. Levante el lado izquierdo del estante y retírelo.

Para volver a colocar el estante:

1. Coloque el estante plano en la puerta.
2. Ambos lados del estante hacia abajo simultáneamente para que el estante encaje en ambas sujeciones.

5.2 Estantes móviles

Las paredes del compartimento del refrigerador cuentan con una serie de guías para colocar los estantes del modo que se prefiera.



Para asegurar una correcta circulación del aire, no mueva el estante de vidrio sobre el cajón de verduras.

5.3 Cajón para verduras

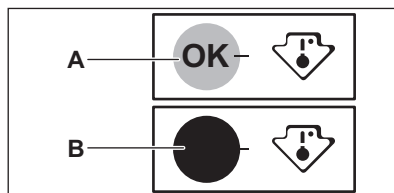
En la parte inferior del aparato hay un cajón especial para guardar frutas y verduras.

5.4 Indicador de temperatura

Para almacenar correctamente los alimentos, el refrigerador dispone de indicador de temperatura. El símbolo de la pared lateral indica el área más fría del refrigerador.

Si aparece OK (A), coloque los alimentos frescos en el área indicada por el símbolo, si no (B), espere al menos 12 horas y compruebe si aparece OK (A).

Si todavía no aparece OK (B), ajuste el control de configuración a un ajuste más frío.



5.5 Congelación de alimentos frescos

El compartimento del congelador es adecuado para congelar alimentos frescos y conservar a largo plazo los alimentos congelados y ultracongelados.

Para congelar alimentos frescos, active la función Super Freeze al menos 24 horas antes de introducir los alimentos en el compartimento congelador.

Guarde los alimentos frescos distribuidos uniformemente en el compartimento congelador.

La cantidad máxima de alimentos que pueden congelarse sin añadir otros alimentos frescos durante 24 horas, se indica en la placa de datos técnicos (una etiqueta situada en el interior del aparato).

5.6 Conservación de alimentos congelados

Al activar un aparato por primera vez o después de un periodo sin uso, déjelo en marcha al menos durante 3 horas con la función Super Freeze encendida antes de colocar productos en el compartimento.

Todos los alimentos deben estar como mínimo a 15 mm de la puerta.



PRECAUCIÓN!

En caso de producirse una descongelación accidental, por ejemplo, por un corte del suministro eléctrico, y si la interrupción ha sido más prolongada que el valor indicado en el campo "tiempo de elevación" de la placa de características técnicas, será necesario consumir cuanto antes los alimentos descongelados o cocinarlos de inmediato, enfriarlos y después congelarlos de nuevo.

5.7 Descongelación

Los alimentos ultracongelados o congelados, antes de utilizarlos, se pueden descongelar en el compartimento del frigorífico o a temperatura ambiente, dependiendo del tiempo de que se disponga.

Es posible incluso cocinar trozos pequeños congelados, directamente desde el congelador, en este caso, la cocción tardará más en cocinarse.

5.8 Bandeja de cubitos de hielo

Este aparato va provisto de una o varias bandejas para producir cubitos de hielo.



No utilice instrumentos metálicos para retirar las bandejas del compartimento del congelador.

1. Llene las bandejas de cubitos de hielo con agua.
2. Póngalas en el compartimento del congelador.

6. CONSEJOS

6.1 Consejos para ahorrar energía

- Frigorífico: Se garantiza el consumo más eficiente de energía en la configuración con los cajones en la parte inferior del aparato y los estantes distribuidos uniformemente. La posición de los contenedores de la puerta no afecta al consumo de energía.
- No abra la puerta con frecuencia ni la deje abierta más tiempo del necesario.
- Frigorífico: No fije una temperatura demasiado alta para ahorrar energía, a menos que lo requieran las características del alimento.
- Si la temperatura ambiente es elevada y el control de temperatura se ajusta a baja temperatura y el aparato está totalmente cargado, el compresor puede funcionar de manera continua, provocando la

formación de escarcha o hielo en el evaporador. En tal caso, ajuste el control de temperatura hacia una temperatura más elevada para permitir la descongelación automática y ahorrar energía.

- Asegure una buena ventilación. No cubra las rejillas o los orificios de ventilación.

6.2 Consejos sobre la congelación

- Active la función Super Freeze al menos 24 horas antes de colocar los alimentos en dentro del congelador.
- Antes de congelar, envuelva y selle los alimentos frescos en: papel de aluminio, film o bolsas de plástico, envases herméticos con tapa.
- Para congelar y descongelar con más eficacia, divida la comida en porciones pequeñas.

- Se recomienda poner etiquetas y fechas en todos sus alimentos congelados. Esto ayudará a identificar los alimentos y a saber cuándo deben utilizarse antes de su deterioro.
- Los alimentos deben ser frescos al congelarlos para preservar la buena calidad. Especialmente las frutas y verduras deben ser congeladas después de cosecharlos para preservar todos sus nutrientes.
- No congele las botellas o latas con líquidos, en particular las bebidas que contienen dióxido de carbono, ya que pueden explotar durante la congelación.
- No coloque alimentos calientes en el compartimiento del congelador. Enfríelos a temperatura ambiente antes de colocarlos dentro del compartimiento.
- Para evitar aumentos en la temperatura de comida ya congelada, no coloque comida no congelada justo al lado. Coloque los alimentos a temperatura ambiente en la parte del compartimiento del congelador donde no hay alimentos congelados.
- No coma cubitos de hielo, sorbetes o helados inmediatamente después de sacarlos del congelador. Existe riesgo de quemaduras.
- No vuelva a congelar los alimentos descongelados. Si la comida se ha descongelado, cocínala, enfríela y luego congélela.

6.3 Consejos para el almacenamiento de alimentos congelados

- El compartimiento congelador es el marcado con .

- Una temperatura más alta en el interior del aparato puede reducir la vida útil.
- Todo el compartimiento congelador es adecuado para el almacenamiento de alimentos congelados.
- Deje suficiente espacio alrededor de los alimentos para permitir que el aire circule libremente.
- Para un almacenamiento adecuado, consulte la etiqueta de los envases de los alimentos para ver su vida útil.
- Es importante envolver los alimentos de tal manera que se evite que el agua, la humedad o la condensación entren en su interior.

6.4 Consejos de compra

Después de la compra:

- Asegúrese de que el envase no esté dañado - los alimentos podrían estar deteriorados. Si el paquete está hinchado o mojado, es posible que no se haya almacenado en condiciones óptimas y que la descongelación ya haya comenzado.
- Para limitar el proceso de descongelación, compre los productos congelados al final de su compra en el supermercado y téngalos en una bolsa térmica y aislada.
- Ponga los alimentos congelados inmediatamente en el congelador después de volver de la tienda.
- Si la comida se ha descongelado aunque sea parcialmente, no la vuelva a congelar. Se debe consumir lo antes posible.
- Respete la fecha de caducidad y la información de almacenamiento del paquete.

6.5 Vida útil en el congelador

Tipo de alimento	Vida útil (meses)
Pan	3
Frutas (excepto cítricos)	6 - 12
Verduras	8 - 10
Sobras sin carne	1 - 2


Tipo de alimento	Vida útil (meses)
Lácteos:	
Mantequilla	6 - 9
Queso blando (p. ej. mozzarella)	3 - 4
Queso duro (p. ej. parmesano, cheddar)	6
Marisco:	
Pescado graso (p. ej. salmón, caballa)	2 - 3
Pescado magro (p. ej. bacalao, platija)	4 - 6
Langostinos	12
Almejas y mejillones desconchados	3 - 4
Pescado cocinado	1 - 2
Carne:	
Aves	9 - 12
Vacuno	6 - 12
Cerdo	4 - 6
Cordero	6 - 9
Salchichas	1 - 2
Jamón	1 - 2
Sobras con carne	2 - 3

6.6 Consejos para la refrigeración de alimentos frescos

- Un buen ajuste de temperatura que asegure la conservación de los alimentos frescos es una temperatura menor o igual a +4°C. Una temperatura más alta en el interior del aparato puede reducir la vida útil de los alimentos.
- Cubra el alimento con el envase para preservar su frescura y aroma.
- Utilice siempre recipientes cerrados para líquidos y para alimentos, para evitar sabores u olores en el compartimento.
- Para evitar la contaminación cruzada entre alimentos cocidos y crudos, cubra la comida cocinada y sepárela de la cruda.
- Se recomienda descongelar los alimentos dentro de la nevera.
- No coloque alimentos calientes dentro del aparato. Asegúrese de que se haya enfriado a temperatura ambiente antes de introducirla.
- Para evitar el desperdicio de alimentos, los alimentos más

recientes deben colocarse siempre detrás de los viejos.

6.7 Consejos para la refrigeración de alimentos

- El compartimento de alimentos frescos es el marcado (en la placa de características) con .
- Carne (cualquier variedad): guárdela en un envoltorio adecuado y colóquela en el estante de vidrio, sobre el cajón de las verduras. Almacene la carne durante un máximo de 1-2 días.
- Frutas y verduras: límpielas a fondo (elimine la suciedad) y colóquelas en un cajón especial (cajón para verduras).
- Es aconsejable no guardar en el frigorífico las frutas exóticas como plátanos, mangos, papayas, etc.
- Las verduras como tomates, patatas, cebollas y ajos no deben guardarse en el frigorífico.
- Queso y mantequilla: colóquelo en un recipiente hermético, o envuélvalo en papel de aluminio o en bolsas de polietileno para eliminar todo el aire posible.

- Botellas: ciérrelas con un tapón y colóquelas en el estante para botellas de la puerta o en el botellero (si dispone de él).
- Consulte siempre la fecha de caducidad de los productos para

saber cuánto tiempo debe conservarlos.

7. MANTENIMIENTO Y LIMPIEZA



ADVERTENCIA!

Consulte los capítulos sobre seguridad.

7.1 Limpieza del interior

Antes de utilizar el aparato por primera vez, lave el interior y todos los accesorios internos con agua templada y un jabón neutro para eliminar el típico olor de un producto nuevo y a continuación seque bien.



PRECAUCIÓN!

No utilice detergentes, polvos abrasivos ni limpiadores a base de cloro o aceite, ya que podrían dañar el acabado.



PRECAUCIÓN!

Los accesorios y las piezas del aparato no deben lavarse en lavavajillas.

7.2 Limpieza periódica

El equipo debe limpiarse de forma regular:

1. Limpie el interior y los accesorios con agua templada y un jabón neutro.
2. Revise y limpie periódicamente las juntas de la puerta para mantenerlas limpias y sin restos.
3. Aclare y seque a fondo.

7.3 Descongelación del aparato



PRECAUCIÓN!

No utilice herramientas metálicas afiladas para raspar la escarcha del evaporador, ya que podría dañarlo.

No utilice dispositivos mecánicos ni medios artificiales para acelerar el proceso de descongelación, excepto los recomendados por el fabricante.



Unas 12 horas antes de realizar la descongelación, ajuste una temperatura más baja con el fin de acumular frío suficiente en caso de una interrupción del funcionamiento.



La descongelación del compartimento frigorífico es automática.

Descongele el compartimento del congelador cuando la capa de escarcha alcance un grosor de unos 3-5 mm.

Para descongelar el compartimento del congelador:

1. Apague el aparato o desconecte el enchufe de la toma de corriente.
2. Retire los alimentos guardados, envuélvalos en varias hojas de papel periódico y colóquelos en un lugar fresco.

**PRECAUCIÓN!**

El aumento de la temperatura de los paquetes de alimentos congelados durante la descongelación puede acortar su tiempo de almacenamiento. No toque los alimentos congelados con las manos mojadas. Podrían congelarse al contacto con los alimentos.

3. Retire la bandeja de hielo.
4. Deje la puerta abierta. Proteja el suelo del agua de la descongelación p. ej., con un paño o recipiente plano.
5. Para acelerar el proceso de descongelación, coloque un recipiente de agua tibia en el compartimento congelador. Además, retire los trozos de hielo que se desprendan antes de que finalice la descongelación.

6. Cuando la descongelación haya terminado, seque a fondo el interior del aparato.
7. Encienda el aparato y cierre la puerta.
8. Ajuste el regulador de temperatura para obtener el máximo frío y haga funcionar el aparato durante tres horas con dicho ajuste.

Solo después de este tiempo vuelva a poner la comida en el congelador.

7.4 Periodos de inactividad

Si el aparato no se utiliza durante un tiempo prolongado, tome las siguientes precauciones:

1. Desconecte el aparato de la red eléctrica.
2. Extraiga todos los alimentos.
3. Descongele el aparato.
4. Limpie el aparato y todos los accesorios.
5. Deje las puertas abiertas para evitar olores desagradables.

8. SOLUCIÓN DE PROBLEMAS**ADVERTENCIA!**

Consulte los capítulos sobre seguridad.

8.1 Qué hacer si...

Problema	Posible causa	Solución
El aparato no funciona.	El aparato está apagado.	Encienda el aparato.
	El enchufe no está bien conectado a la toma de corriente.	Conecte el aparato a la toma de corriente correctamente.
	No hay tensión en la toma de corriente.	Conecte un aparato diferente a la de corriente. Póngase en contacto con un electricista cualificado.
El aparato hace ruido.	El aparato no está bien apoyado.	Compruebe que los soportes del aparato están estables.
El compresor funciona continuamente.	La temperatura se ha ajustado de manera incorrecta.	Consulte el capítulo "Funcionamiento".

Problema	Posible causa	Solución
	Se han introducido muchos alimentos al mismo tiempo.	Espere unas horas y vuelva a comprobar la temperatura.
	La temperatura ambiente es demasiado alta.	Consulte el capítulo "Instalación".
	Los alimentos introducidos en el aparato estaban demasiado calientes.	Deje que los alimentos se enfríen a temperatura ambiente antes de guardarlos.
	La puerta no está bien cerrada.	Consulte la sección "Cierre de la puerta".
	La función Super Freeze está activada.	Consulte la sección "Función Super Freeze".
El compresor no se pone en marcha inmediatamente después de pulsar «Super Freeze», o tras cambiar la temperatura.	El compresor se pone en marcha al cabo de cierto tiempo.	Esto es normal, no se ha producido ningún error.
La puerta está mal alineada o interfiere con la rejilla de ventilación.	El aparato no está nivelado.	Consulte las instrucciones de instalación.
La puerta no se abre fácilmente.	Ha intentado volver a abrir la puerta inmediatamente después de cerrarla.	Espere unos segundos entre el cierre y la reapertura de la puerta.
La bombilla no funciona.	La bombilla está en modo de espera.	Cierre y abra la puerta.
	La bombilla es defectuosa.	Póngase en contacto con el servicio técnico autorizado más cercano.
Hay demasiada escarcha y hielo.	La puerta no está bien cerrada.	Consulte la sección "Cierre de la puerta".
	La junta de la puerta está sucia o deformada.	Consulte la sección "Cierre de la puerta".
	Los alimentos no están bien envueltos.	Envuelva mejor los productos.
	La temperatura se ha ajustado de manera incorrecta.	Consulte el capítulo "Funcionamiento".
	El aparato está completamente cargado y ajustado a la temperatura más baja.	Seleccione una temperatura más alta. Consulte el capítulo "Funcionamiento".

Problema	Posible causa	Solución
	La temperatura ajustada en el aparato es demasiado baja y la temperatura ambiente demasiado alta.	Seleccione una temperatura más alta. Consulte el capítulo "Funcionamiento".
El agua fluye por la placa posterior del frigorífico.	Durante el proceso de descongelación automática, la escarcha se derrite en la placa posterior.	Es correcto. Seque el agua con un paño suave.
Hay demasiada agua de condensación en la pared posterior del frigorífico.	La puerta se abre con demasiada frecuencia.	Abra la puerta solo cuando sea necesario.
	La puerta no se cierra completamente.	Asegúrese de que la puerta está cerrada completamente.
	Los alimentos guardados no están envueltos correctamente.	Envuelva los alimentos correctamente antes de guardarlos en el aparato.
El agua fluye por el interior del frigorífico.	Los productos impiden que el agua fluya al colector de agua.	Asegúrese de que los alimentos no tocan la placa posterior.
	La salida de agua está obstruida.	Limpie la salida de agua.
El agua fluye por el suelo.	La salida de agua de descongelación no está conectada a la bandeja de evaporación situada sobre el compresor.	Acople la salida de agua de descongelación a la bandeja de evaporación.
No se puede ajustar la temperatura.	La función Super Freeze está activada.	Apague la función Super Freeze manualmente, espere hasta que la función se desactive automáticamente antes de ajustar la temperatura. Consulte la sección "Función Super Freeze".
La temperatura del aparato es demasiado baja/alta.	La temperatura no se ha ajustado correctamente.	Seleccione una temperatura más alta/más baja.
	La puerta no está bien cerrada.	Consulte la sección "Cierre de la puerta".
	La temperatura de los productos es demasiado alta.	Deje que la temperatura de los alimentos descienda a la temperatura ambiente antes de guardarlos.

Problema	Posible causa	Solución
	Se han guardado muchos alimentos al mismo tiempo.	Guarde menos alimentos al mismo tiempo.
	El grosor de la escarcha es superior a 4-5 mm.	Descongele el aparato.
	La puerta se ha abierto con frecuencia.	Abra la puerta sólo si es necesario.
	La función Super Freeze está activada.	Consulte la sección "Función Super Freeze".



Si el consejo anterior no ofrece resultados, llame al servicio técnico autorizado más cercano.

8.2 Cambio de la bombilla

El aparato está equipado con una luz LED interior de larga duración.

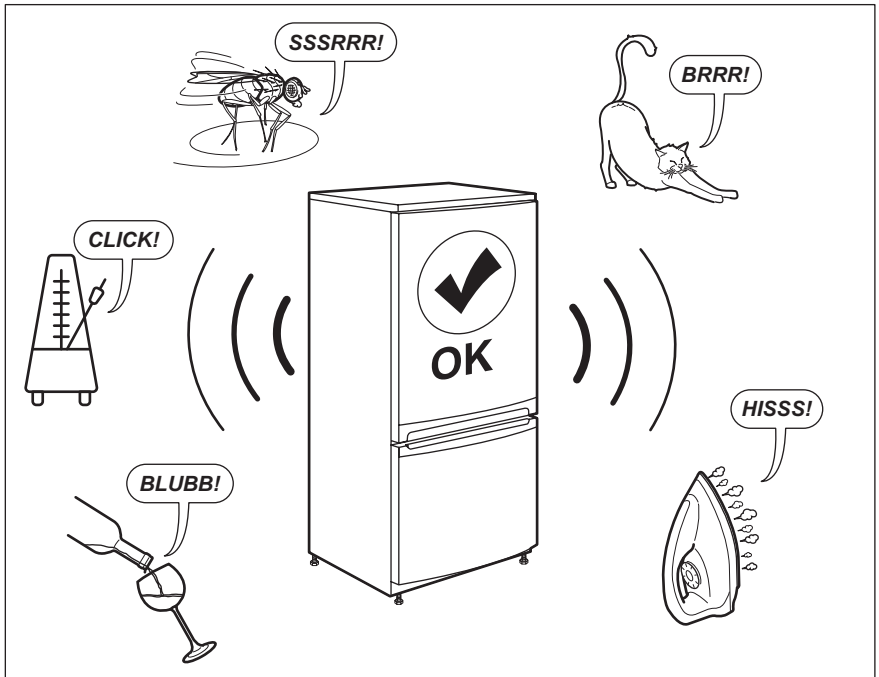
El dispositivo de iluminación solo debe ser sustituido por el servicio técnico.

Póngase en contacto con el servicio técnico.

8.3 Cierre de la puerta

1. Limpie las juntas de la puerta.
2. Si es necesario, ajuste la puerta. Consulte el capítulo "Instalación".
3. Si es necesario, cambie las juntas defectuosas. Póngase en contacto con el servicio técnico autorizado.

9. RUIDOS



10. DATOS TÉCNICOS

La información técnica se encuentra en la placa de datos técnicos situada en el interior del aparato y en la etiqueta de consumo energético.

El código QR de la etiqueta energética suministrada con el aparato proporciona un enlace web a la información relacionada con el rendimiento del aparato en la base de datos EPREL de la UE. Guarde la etiqueta energética como referencia junto con el manual de usuario y todos los demás documentos que se proporcionan con este aparato.

También puede encontrar la misma información en EPREL accediendo desde el enlace <https://eprel.ec.europa.eu> e introduciendo el nombre del modelo y el número de producto que se encuentran en la placa de datos técnicos del aparato.

Consulte el enlace www.theenergylabel.eu para obtener información detallada sobre la etiqueta energética.


11. INFORMACIÓN PARA LOS INSTITUTOS DE PRUEBAS


La instalación y la preparación del aparato para cualquier verificación de EcoDiseño deberá cumplir con EN 62552. Los requisitos de ventilación, las dimensiones de los huecos y las

distancias mínimas traseras serán los indicados en el Capítulo 3 de este Manual de Usuario. Por favor, póngase en contacto con el fabricante para

cualquier otra información adicional, incluyendo los planos de carga.

12. ASPECTOS MEDIOAMBIENTALES

Recicle los materiales con el símbolo . Coloque el material de embalaje en los contenedores adecuados para su reciclaje. Ayude a proteger el medio ambiente y la salud pública, así como a reciclar residuos de aparatos eléctricos y

electrónicos. No deseche los aparatos marcados con el símbolo  junto con los residuos domésticos. Lleve el producto a su centro de reciclaje local o póngase en contacto con su oficina municipal.

www.electrolux.com/shop



804183030-B-472020

